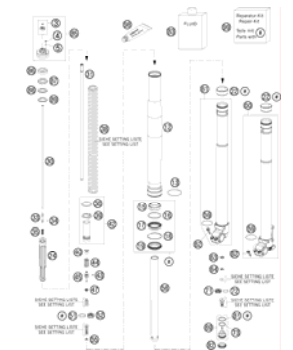
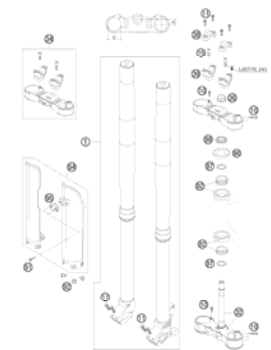
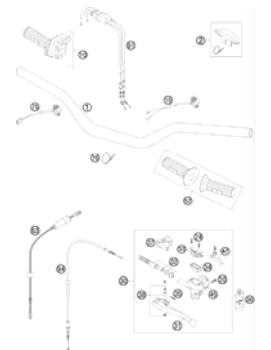

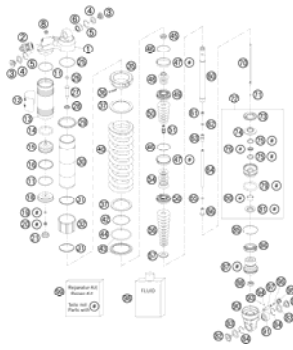
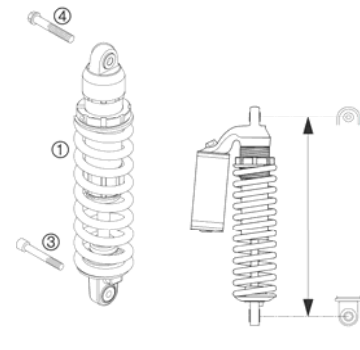
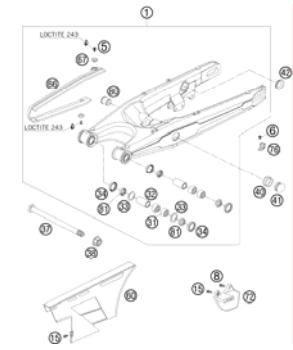
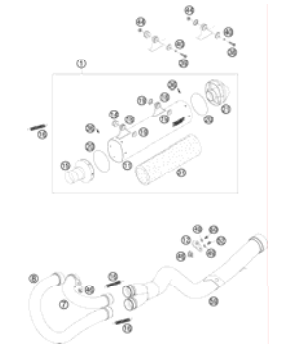
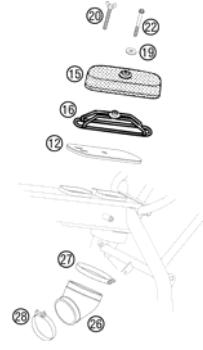

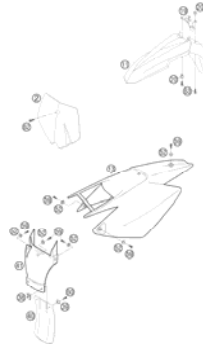
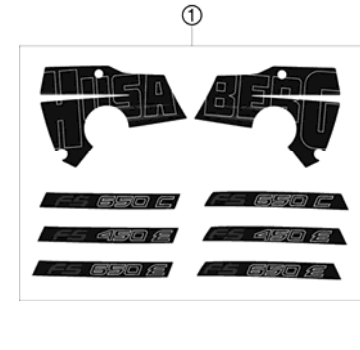


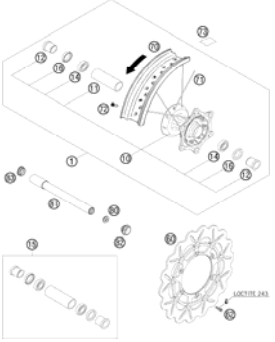
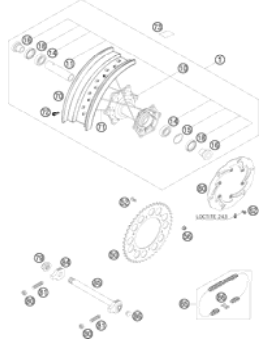
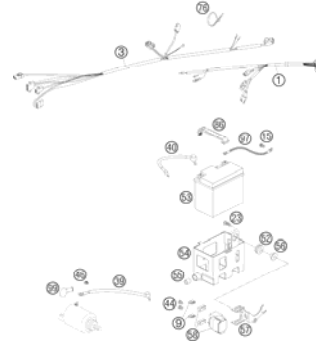
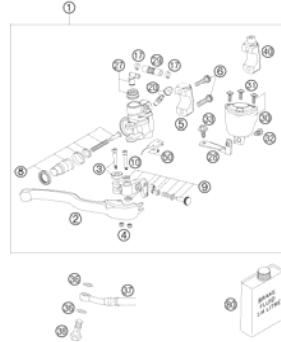
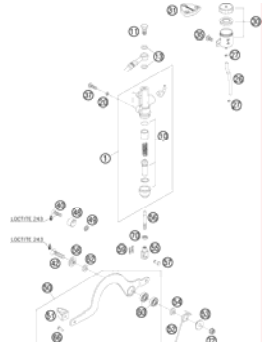
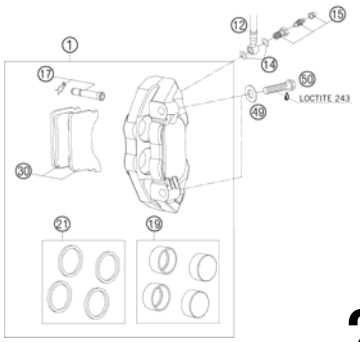
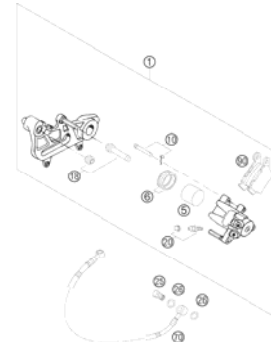
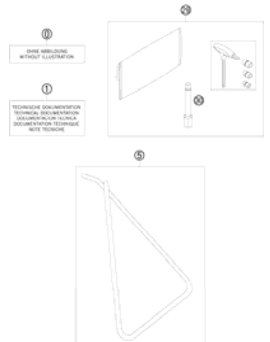
## SPARE PARTS MANUAL: CHASSIS

ART.NO.: 3CF2503H5EN

ENGLISH



<p><b>FRONT FORK DISASSEMBLED</b></p>  <p><b>3</b></p>	<p><b>FRONT FORK, TRIPLE CLAMP</b></p>  <p><b>5</b></p>	<p><b>HANDLEBAR, CONTROLS</b></p>  <p><b>6</b></p>	<p><b>FRAME</b></p>  <p><b>7</b></p>
<p><b>MONOSHOCK DISASSEMBLED</b></p>  <p><b>9</b></p>	<p><b>MONOSHOCK</b></p>  <p><b>12</b></p>	<p><b>SWING ARM</b></p>  <p><b>13</b></p>	<p><b>EXHAUST SYSTEM</b></p>  <p><b>14</b></p>
<p><b>AIR FILTER</b></p>  <p><b>15</b></p>	<p><b>TANK, SEAT, COVER</b></p>  <p><b>16</b></p>	<p><b>MASK, FENDERS</b></p>  <p><b>17</b></p>	<p><b>DECAL</b></p>  <p><b>18</b></p>

<p><b>FRONT WHEEL</b></p>  <p><b>19</b></p>	<p><b>REAR WHEEL</b></p>  <p><b>20</b></p>	<p><b>WIRING HARNESS</b></p>  <p><b>21</b></p>	<p><b>HAND BRAKE CYLINDER</b></p>  <p><b>22</b></p>
<p><b>REAR BRAKE CONTROL</b></p>  <p><b>23</b></p>	<p><b>BRAKE CALIPER FRONT</b></p>  <p><b>24</b></p>	<p><b>BRAKE CALIPER REAR</b></p>  <p><b>25</b></p>	<p><b>ACCESSORIES KIT</b></p>  <p><b>26</b></p>
<div style="display: flex; align-items: center;"> <div style="background-color: #cccccc; padding: 20px; font-size: 48px; margin-right: 20px;">!</div> <div> <p>All information contained is without obligation. KTM-Sportmotorcycle AG particularly reserves the right to modify any equipment, technical specifications, prices, colors, shapes, materials, services, service work, constructions, equipment and the like so as to adapt them to local conditions or to cancel any of the above items, all without previous announcement and without giving reasons. KTM may stop manufacturing certain models without previous notice. KTM shall not be held liable for any deviations of availability and/or ability to deliver, illustrations, descriptions, printing and/or other errors. The illustrated models partly contain extra equipment, which is not applied to standard models. © by KTM-SPORTMOTORCYCLE AG, Mattighofen AUSTRIA; All rights reserved; Reprint, also in extracts, with written allowance of KTM-SPORTMOTORCYCLE AG, Mattighofen only.</p> </div> </div>			

# FRONT FORK DISASSEMBLED

FS 650c/6 2008

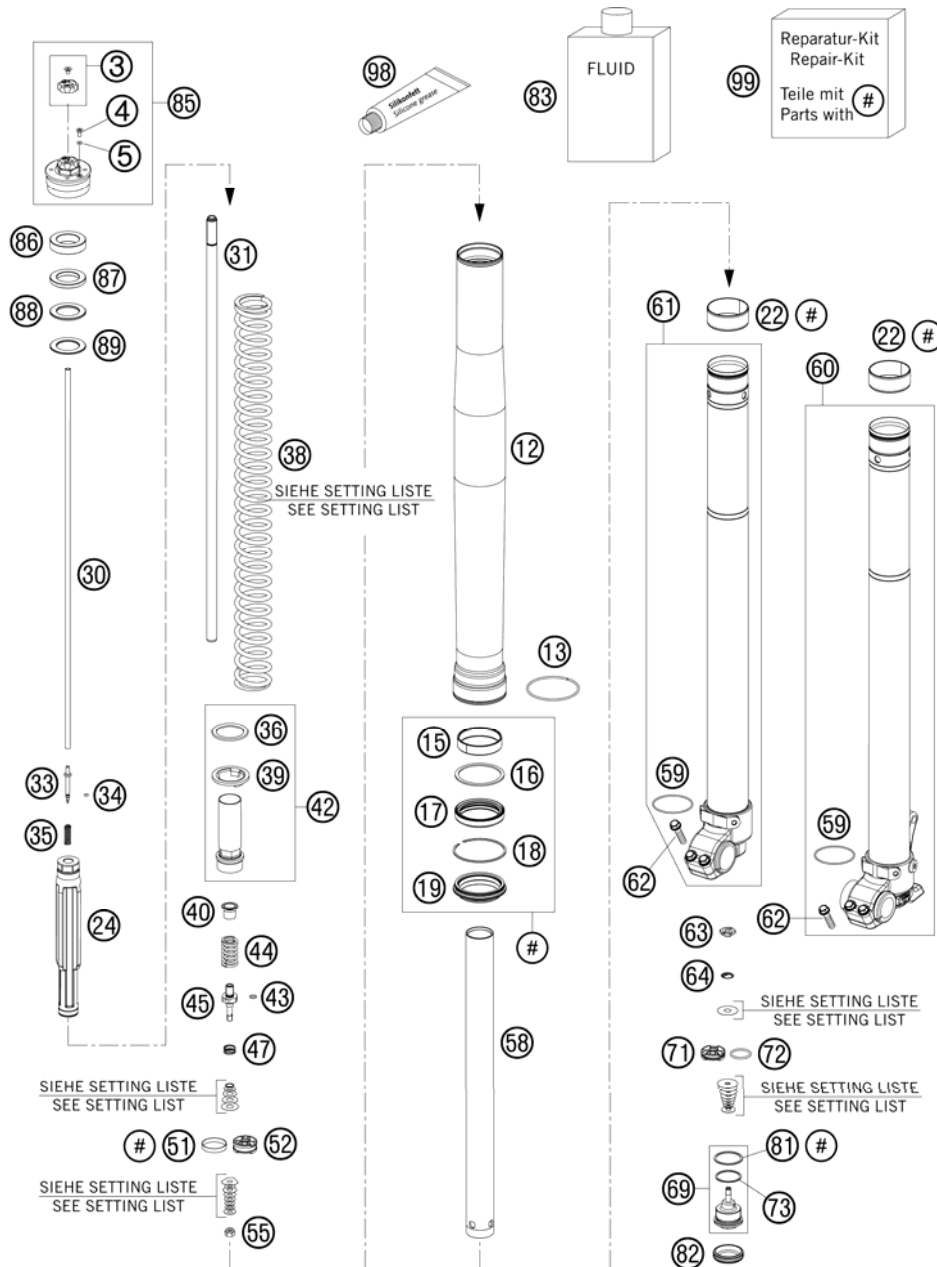


FIG	PART NUMBER	DESCRIPTION	QTY
3	48600564S	SETTING KNOB + SCREW	2
4	48600481	VENT SCREW M4X8	2
5	48600009	O-RING NBR 3,7X1,6	2
12*	48600693	OUTER TUBE L577 D54/60MM 2L BL	2
13	48600016	GUIDING RING D=58MM	2
15	48600429	DU-BUSH D48XD52X12DDL02	2
16	48600013	SUPPORT RING 50 X 57,6 X 1,5	2
17*	48600347	OIL SEAL RING 48X57,8X9,5 03	2
18	48600070	LOCK WASHER SB58	2
19	48600400	DUST CAP D=48 58,4X11,8	2
22	48600428	DU-BUSH D47XD49X20DDL02	2
24	48600557S	HYDR.STOP L=200 D=31,9 CPL. 07	2
30*	48600562	ADJUSTMENT TUBE L=495	2
31*	48600561	PISTON ROD D=12 L=529 ALU	2
33	48600277	ADJUSTER NEEDLE 07	2
34	48600298	O-RING 2X1,5 NBR	2
35	48600444	REBOUND SPRING C=4N/MM	2
36	48600113	WASHER 32X42X2,5	2
38	91410006S	SPRING 4,4N/MM SET D=5,1MM	x
38	91410019S	SPRING 4,6N/MM SET D=5,1MM	x
38	91410020S	SPRING 4,8N/MM SET D=5,25 MM	x
39	48600021	INTERM. RING 26,2 X 43 X 3	2
40	48600525	GUIDING BUSH REBOUND SPRING	2
42	48600556S	SCREW SLEEVE M29,3X1 L=90 CPL.	2
43	48600299	O-RING 6X1,2 NBR	2
44	48600511	REBOUND SPRING L=32 C=17	2
45	48600513	TAP REBOUND 07	2
47	35480377	SPRING CHECK VALVE D=0,5	2
51	48600060	PISTON RING 5X1X84	2
52	48600042	PISTON REBOUND D=27,7	2
55	40540486	NUT M6X0,5 REBOUND	2
58	48600081	TUBE 29,3X1X390 D=8,5MM	2
59	48600048	O-RING NBR 46 X 2	2
60*	48600402S2	AXLE CLAMP L/S + TUBE CPL. 08	1
61*	48600238S3	AXLE CLAMP R/S + TUBE CPL. 08	1
62*	0025080256	HH COLLAR SCREW M8X25 TX40	4

087800131 / C087800134

\* NEW PART

X AS REQUIRED

# FRONT FORK DISASSEMBLED

FS 650c/6 2008

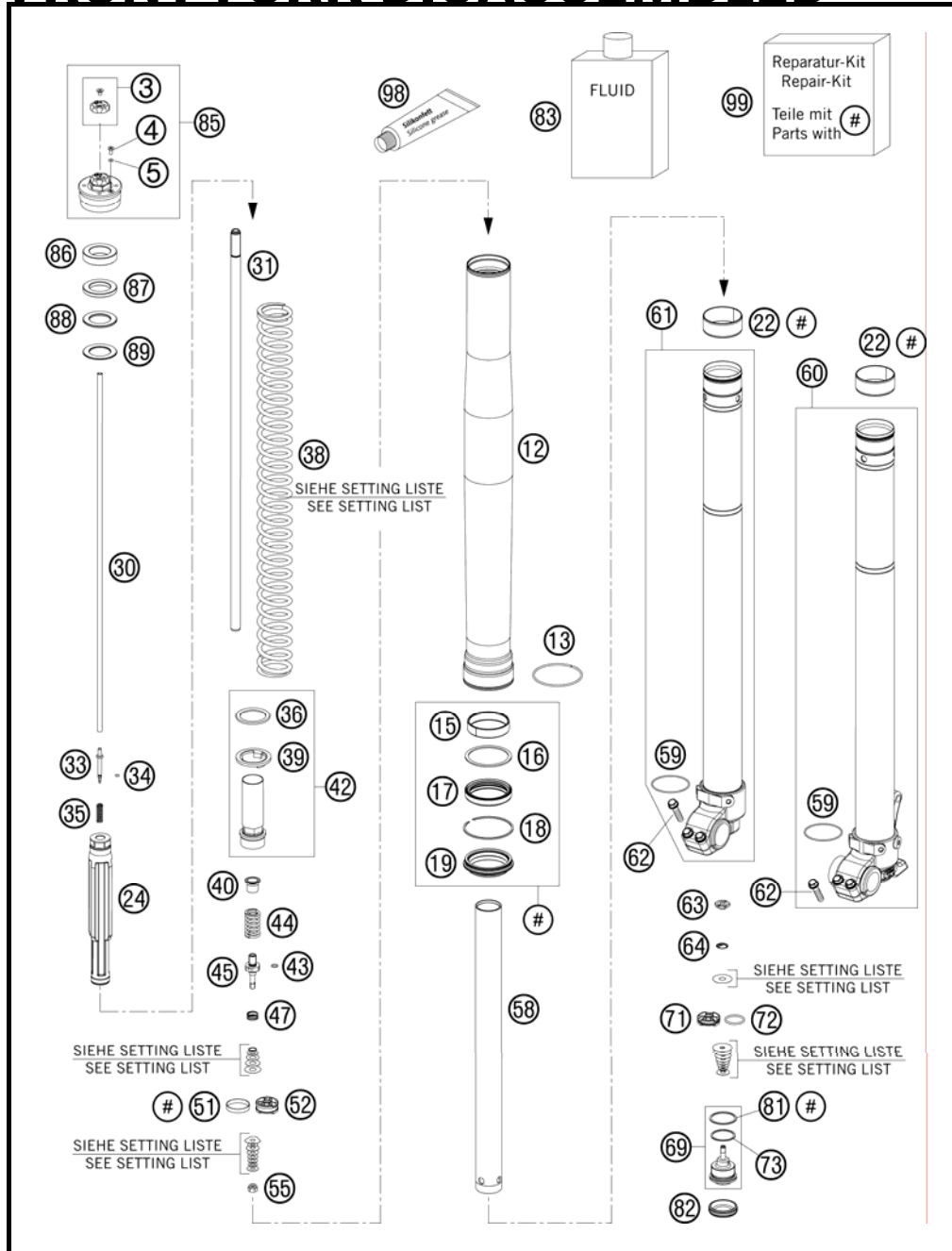


FIG	PART NUMBER	DESCRIPTION	QTY
63	48600163	CHECK VALVE NUT M6X0,5 D=2	2
64	48600202	SPRING CHECK VALVE D=0,7	2
69	48600586S	TAP COMPRESSION CPL. 07	2
71	48600047	PISTON COMPRESSION D=27,9	2
72	46811499	O-RING NBR 21X2	2
73	35480320	O-RING NBR 24X2	2
81	48600004	COPPER WASHER 29,5X33,5X1	2
82	48600141	RUBBER CAP D=35MM	2
83	48600401S1	FORK OIL SAE5 5L 2005	1
85	48600431S1	PRE-LOAD ADJ. M51X1,5 CPL. 07	2
86	48600038	SPACER 42X26,5X10	2
87	48600037	SPACER 42X26,5X5	2
88	48600036	SPACER 42X26,5X2,5	2
89	48600053	SPACER 42X26,5X1,5	2
98	T511	SILICONE GREASE F. DUST STRI	1
99*	R14015	REPAIR-KIT EXC FRONT FORK 2008	1

087800131 / C087800134

\* NEW PART

X AS REQUIRED

# FRONT FORK, TRIPLE CLAMP

FS 650c/6 2008

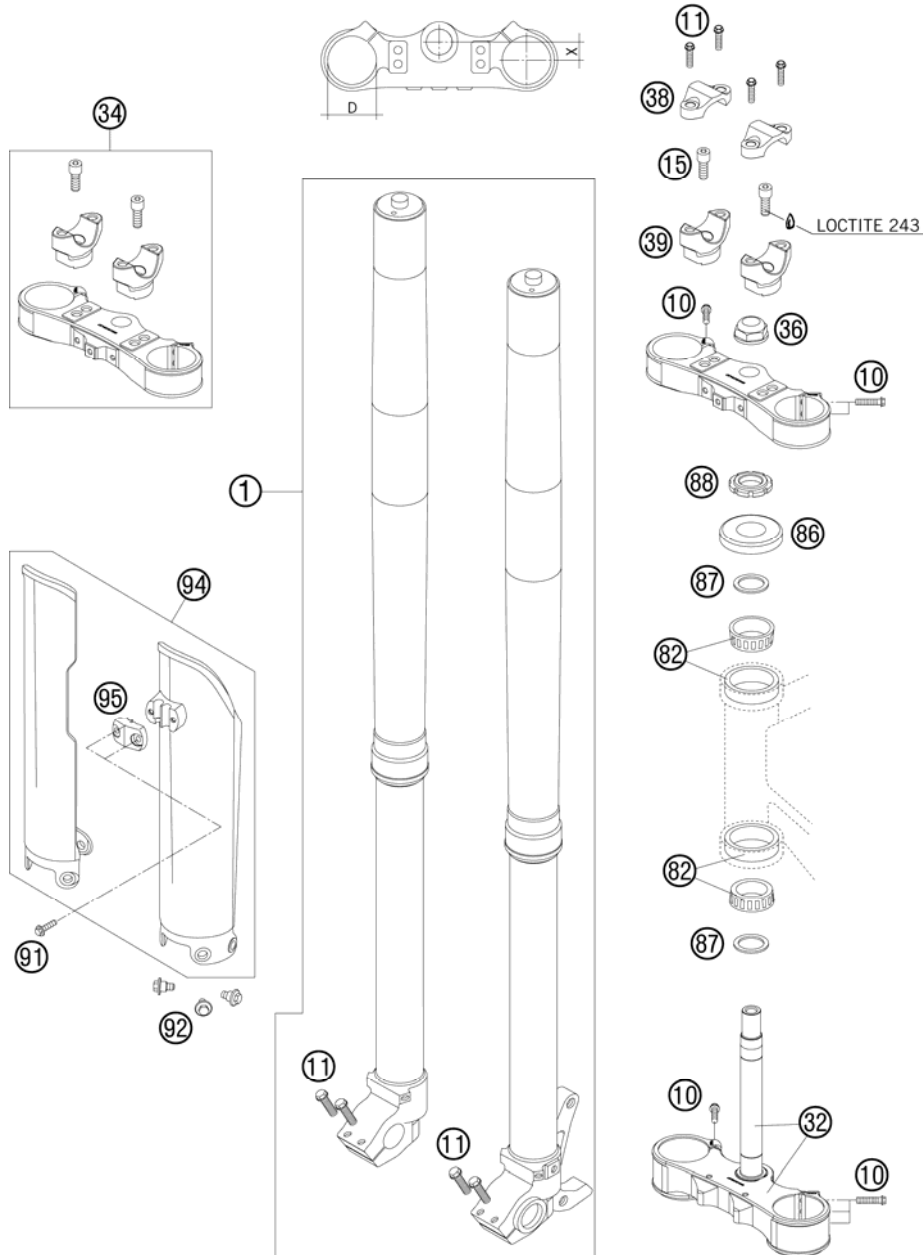


FIG	PART NUMBER	DESCRIPTION	QTY
1*	14457D03	FORK D=48 PA FS 2008	1
10*	0025080356	HH COLLAR SCREW M8X35 TX40	10
11*	0025080256	HH COLLAR SCREW M8X25 TX40	8
15	0912100356	AH SCREW DIN6912-M10X35 10.9	2
32	80001032116	BOT.TRIPLE CLAMP CPL.x=16/D=60	1
34	80001035017	TOP T.CLAMP CPL. X=17/D=57 05	1
36	80001036000	COLLAR SCREW M22X1/5H/WS27 ALU	1
38	59401038000	HANDLEBAR CLAMP 28MM 05	2
39	59401039037	HANDLEB.SUPP. D=28MM H=37MM 05	2
82	80001080000	TAPERED ROLLER BEARING CPL.	2
86	54201086000	STEERING HEAD COVER	1
87	80001087000	SPACER STEARING HEAD 04	2
88	80001088100	ADJUSTING NUT STEERING HEAD 05	1
91	0017060204	EJOT PT SCREW K60X20 ALU WS=6	2
92	59001092050	SPECIAL SCREW M6X12,5 WS=8	6
94	5900109400030	FORK PROTECT. L/S+R/S BLACK 02	1
95	58201085000	CLAMP F.SPEED CABLE D=8MM 2001	1

088000110 / C088000111

\* NEW PART

X AS REQUIRED

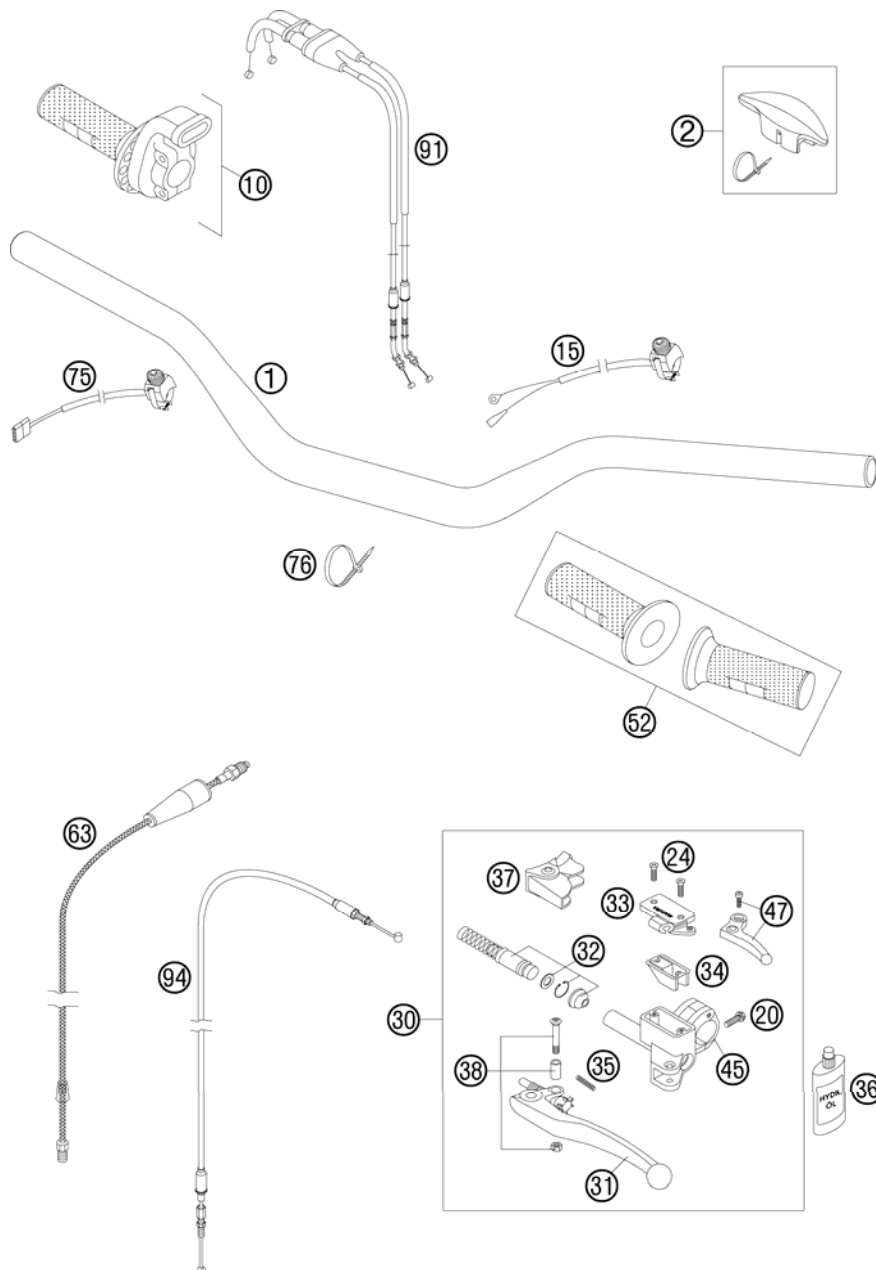


FIG	PART NUMBER	DESCRIPTION	QTY
1	59002001000	HANDLEBAR 28MM HIGH 2000	1
2	59002002000	HANDLEBAR PAD 05	1
10	80002010000	THROTTLE GRIP CPL. HUSABERG 05	1
15	50311089200	SHORT CIRCUIT BUTTON 02	1
20	0015060203	HH COLLAR SCREW M 6X20 WS=8	1
24	0965040123	FLAT HEAD SCREW DIN0965-M 4X12	2
30	59002030100	MASTER CYLINDER CPL. RACING 03	1
31	54602031000	CLUTCH LEVER SHORT CPL. 2003	x
31	59002031000	CLUTCH LEVER LONG CPL. 2003	1
32	59002032000	REP.KIT PISTON 9,5MM RAC. 2000	1
33	59002033000	COVER HYD.CLUTCH RACING 2000	1
33	80002033000	COVER HYDR. CLUTCH	1
34	50302034000	RUBBER FOR RESERVOIR '98	1
35	59002035000	SPRING FOR CLUTCH LEVER 03	1
36	50302036200	OIL FOR HYD. CLUTCH 75ML	1
37	50302037000	PROTECT.CAP FOR LEVER PERCH'98	1
38	50302038000	LEVER SCREW CPL. 125-200 '98	1
45	50302030150	CLAMP WITH PIN 2000	1
47	59002047000	LEVER CPL. RACING 2000	1
52*	80002021100	RUBBER GRIP SET	1
63	80032063000	CLUTCH PIPE HUSABERG 2004	1
75	59411074000	STARTER CONTROL 04	1
76	44011076100	CABLE TIE 100/2,5MM BLACK	x
76	44011076200	CABLE TIE 200/3,6MM BLACK	x
91	59002091300	THR.CABLE"OPEN-CLOSE"KEIHIN 02	1
94	59002094000	DECOMPR. CABLE RACING 2000	1

088000214 / C088000214

\* NEW PART

X AS REQUIRED



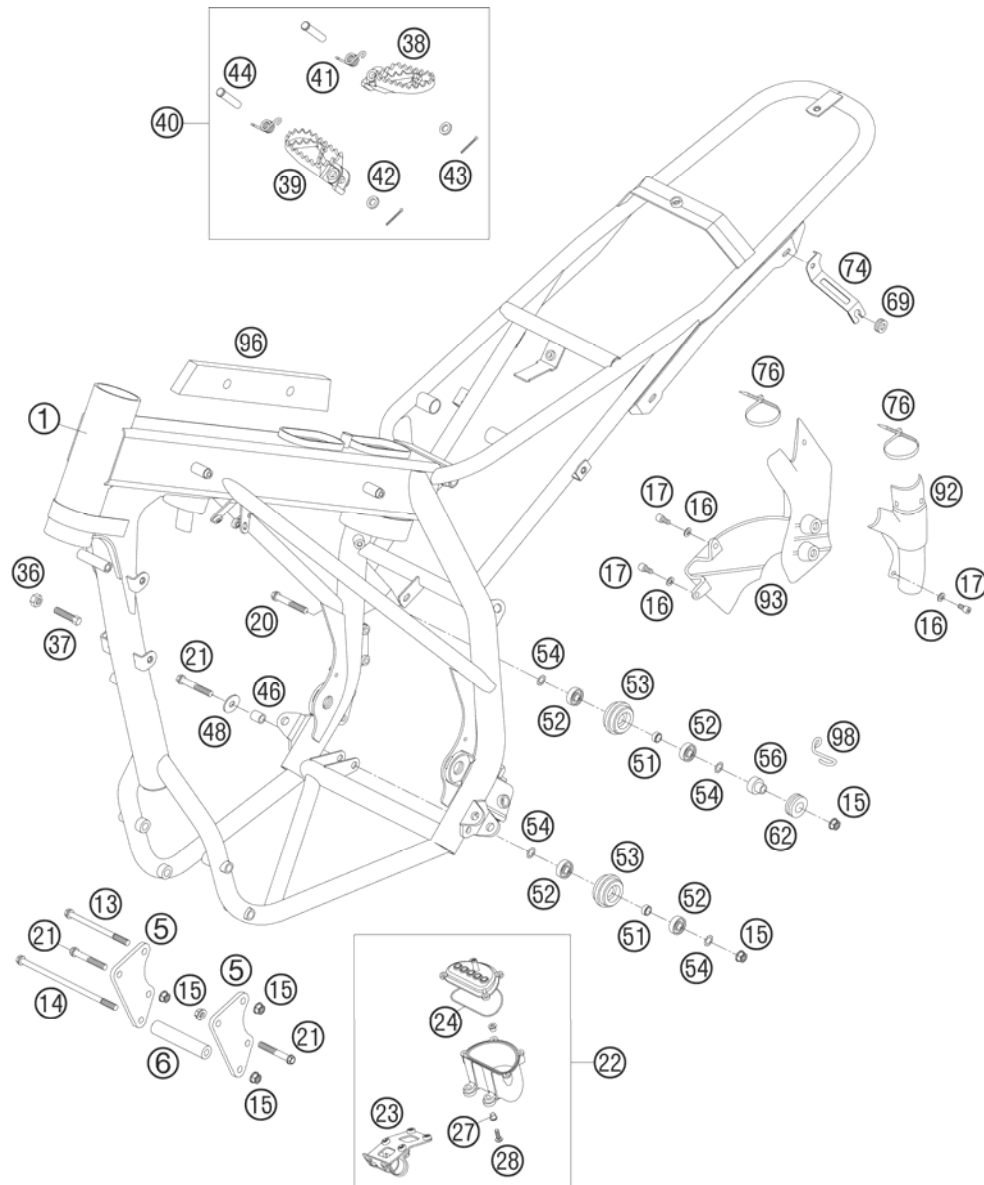


FIG	PART NUMBER	DESCRIPTION	QTY
1	8000300100030	FRAME FC BLACK (HA04)	1
5	80003005000	ENGINE MOUNTING 04	2
6	80003006000	SPACER ENGINE MOUNT. L=87MM 04	1
13	80003013000	ENGINE BRACKET SCREW M8X110 04	2
14	80003014000	ENGINE BRACKET SCREW M8X180 04	1
15	54310086200	SELF LOCKING NUT M8 10.9	7
16	0125050003	WASHER DIN0125-A 5,3	3
17	0912050103	AH SCREW DIN0912-M 5X10	3
20*	0025080556	HH COLLAR SCREW M8X55 TX40	1
21*	0025080506	HH COLLAR SCREW M8X50 TX40	3
22	80031096044	INTERCEPTING TANK CPL.	1
23	80031096050	BRACKET F.INTERCEPTING TANK 05	1
24	0770800021	O-RING 80,00X2,00 VITON	1
27	58314060050	SPACER BUSH. F. SPEEDOMET.BRA.	2
28	0014060153	HH COLLAR SCREW M 6X15 WS=8	2
36	0934080003	HEXAGON NUT DIN0934-M 8	2
37	59001037000	SPECIAL SCREW M8X26 WS=10	2
38	59003040050	FOOT PED L/S EXC SILVER 2000	1
39	59003041050	FOOT PED R/S EXC SILVER 2000	1
40	5030304003390	FOOTREST L/S+R/S CPL. EXC 02	1
41	54603041000	FOOTREST SPRING L/S & R/S	2
42	0125100003	WASHER DIN0125-A10,5	2
43	0094032253	PIN DIN0094-3,2X25 STEEL	2
44	54603044000	BOLT FOR FOOTREST 9,8 X 50	2
46	80013046100	DISTANCE SPACER 22X8,2X16MM 05	1
48	0021080003	WASHER DIN9021-A 8,4	1
51	74003021000	BUSHING 8.2 X 12 X 6	2
52	0625006087	GROOVED BALL BEAR. 608 2RS C3	4
53	52303053100	CHAIN ROLL D=35MM 125-380 '99	2
54	36003014000	LOCK WASHER 8MM	4
56	80011056100	DISTANCE SPACER 8MM 04	1
62	41001052000	RUBBER SLEEVE D=12MM	1
69	58214069051	RUBBER GROMMET 16X10,8X3 02	1
74	80008014100	BRACKET FOR REAR PART 2005	1
76	44011076200	CABLE TIE 200/3,6MM BLACK	2
92	8000309200030	FRAME PROTECTION L/S BLACK 04	1

088000313 / C088000313

\* NEW PART

X AS REQUIRED

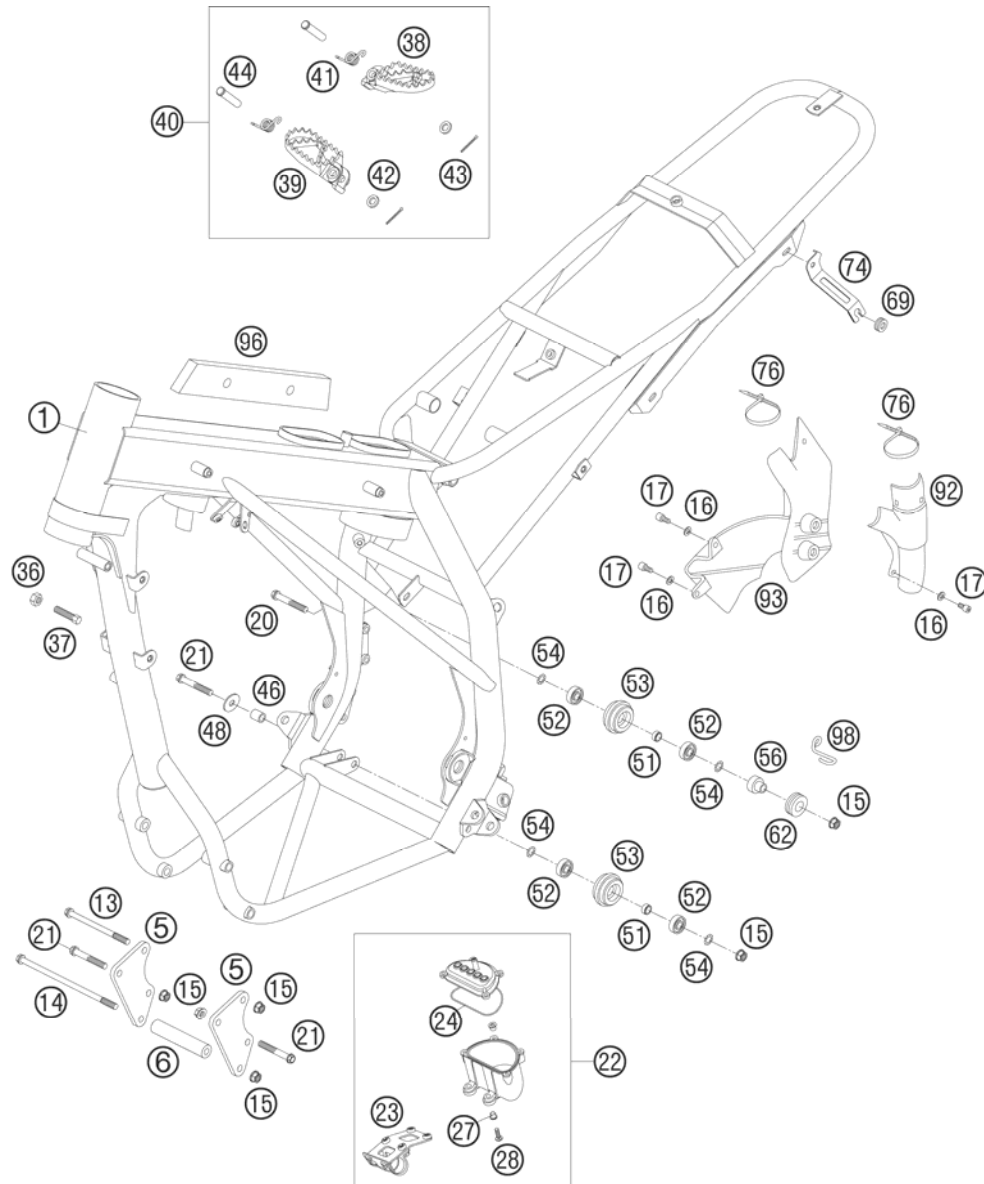


FIG	PART NUMBER	DESCRIPTION	QTY
93	8000309300030	FRAME PROTECTION R/S BLACK 04	1
96	80006096000	TAB FOR FILTER PROTECTION 04	2
98	80013094000	BRAKE HOSE GUIDE LOWER	1

088000313 / C088000313

\* NEW PART

X AS REQUIRED

# MONOSHOCK DISASSEMBLED

FS 650c/6 2008

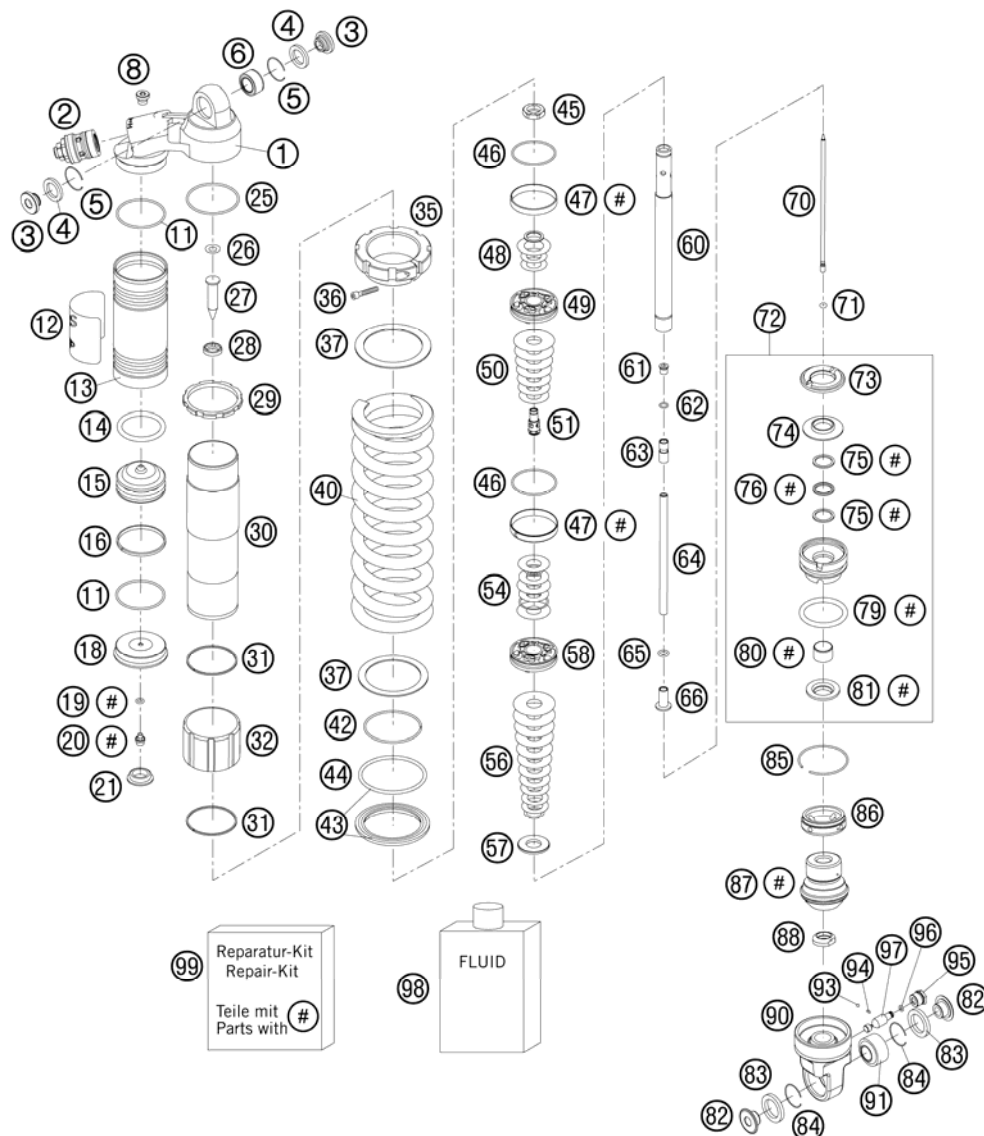


FIG	PART NUMBER	DESCRIPTION	QTY
1	50180357	SHOCK ABS.CASE 30,5 B21 82GR03	1
2	50180213S4	DCC-COMPR.DAMP.CONTROL CPL. 03	1
3	46180061	ADAPTOR-BUSH 12X26	2
4	46180003	OIL SEAL KGW D=25	2
5	50180168	WASHER KGW D=25	2
6	50180005	BUSHING KGW 1525 HD	1
8	50180095	BLEED PLUG R 1/8	1
11	46810340	O-RING NBR 45X2	2
12	52000041	WP CAUTION (PDS KTM) 58X83	1
13	50180096	% RESERVOIR SCREW L140 GREY	1
14	46811043	O-RING VITON 35X5	1
15	50180108	SEPARATION PISTON D=46, H=29	1
16	46810324	PISTON RING 3,9X1,5X138	1
18	46811209	RESERVOIR CAP D=46	1
19	46810893	O-RING NBR 5,28X1,78	1
20	36120151	SCREW PLUG M5X6	1
21	46811208	RUBBER CAP "DO NOT OPEN"	1
25	50180097	O-RING 52X2	1
26	50180177	WASHER 16X8,2X0,6	1
27	50180359	NEEDLE D=10 L=33/47	1
28	50180579	SCREW CAP M20X1 D=11,5 H=5	1
29	50180270	LOCK WASHER	1
30	50180443	TUBE L=193	1
31	50180133	CIRCLIP 50X1,5	2
32	50180081	SPRING GUIDANCE L=40	1
35	50180433	SPRING RETAINER M56X1	1
36	0912050303	AH SCREW DIN0912-M 5X30	1
37	50180114	INTERM.RING SCREW SPRING RET.	2
40	91210057S	SPRING 250 84N/MM YELLOW	x
40	91210058S	SPRING 250 88N/MM YELLOW	x
40	91210059S	SPRING 250 92N/MM YELLOW	x
42	50180273	CIRCLIP 58,2X2	1
43	50180463S	SPRING RET. D=80 W. O-RING 05	1
44	50180352	O-RING VITON 66,27X3,53	1
45	50180141	PISTON ROD NUT M16X1	1
46	50180099	O-RING VITON 44,17X1,78	2

087800433 / C087800437

\* NEW PART

X AS REQUIRED

# MONOSHOCK DISASSEMBLED

FS 650c/6 2008

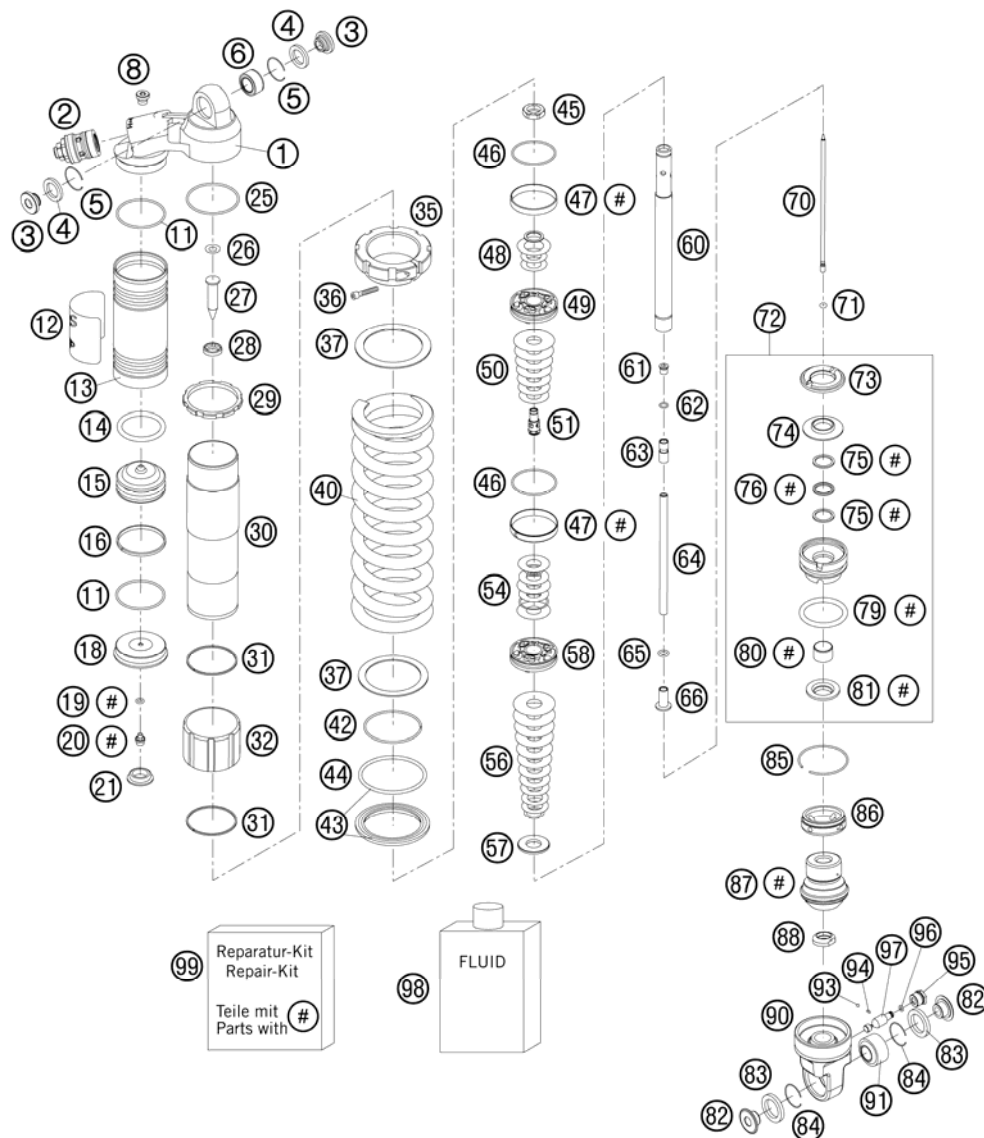


FIG	PART NUMBER	DESCRIPTION	QTY
47	50180135	PISTON RING 50-8	2
48	50180054	SHIM 16X28X0,20	x
48	50180209	WASHER 21X36X0,25	x
48	50180210	WASHER 16X21X1	x
49	50180197	PISTON 6+6X7/4,5	1
50	50180071	SHIM 16X44X0,25	x
50	50180074	SHIM 16X32X0,30	x
50	50180075	SHIM 16X34X0,30	x
50	50180076	SHIM 16X36X0,30	x
50	50180077	SHIM 16X38X0,30	x
50	50180078	SHIM 16X40X0,30	x
50	50180079	SHIM 16X42X0,30	x
51	50180269	SANDWICH BUSH D25XD16X14,5/D	1
54	46811637	PRESSURE RING 36X32,5	x
54	50180034	BACKPLATE 16X20X0,30	x
54	50180049	SHIM 16X36X0,15	x
54	50180056	SHIM 16X32X0,20	x
54	50180058	SHIM 16X36X0,20	x
56	50180034	BACKPLATE 16X20X0,30	x
56	50180055	SHIM 16X30X0,20	x
56	50180056	SHIM 16X32X0,20	x
56	50180057	SHIM 16X34X0,20	x
56	50180058	SHIM 16X36X0,20	x
56	50180059	SHIM 16X38X0,20	x
56	50180069	SHIM 16X40X0,25	x
56	50180070	SHIM 16X42X0,25	x
56	50180071	SHIM 16X44X0,25	x
57	50180288	SHIM REBOUND D=34, H=10	1
58	50180197	PISTON 6+6X7/4,5	1
60	50180291	PISTON ROD D=18 M16X1 '02	1
61	50180200	BUSH M8X1	1
62	50180157	O-RING VITON 7X1,5	1
63	50180439	NEEDLE SEAT M8X1 D=5,5 05	1
64	50180284	TUBE M8X1 L=143,5	1
65	48600049	O-RING NBR 8X2	1
66	50180279	TUBE ADAPTOR M8X1 L=23	1

087800433 / C087800437

\* NEW PART

X AS REQUIRED

# MONOSHOCK DISASSEMBLED

FS 650c/6 2008

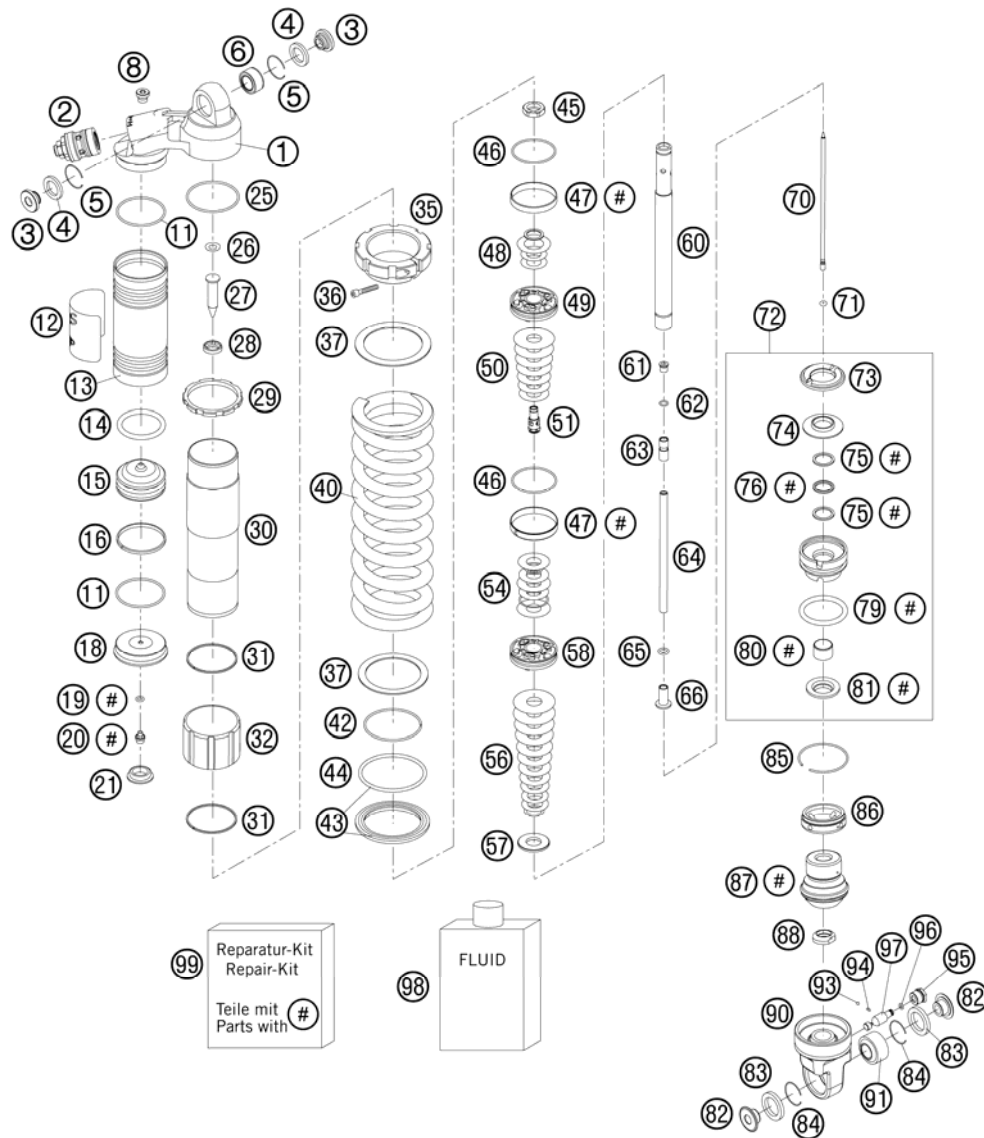


FIG	PART NUMBER	DESCRIPTION	QTY
70	50180278	NEEDLE FOR REBOUND MODIFICAT.	1
71	46811265	O-RING VITON 2,2X1,6	1
72	50180435S	ADAPTOR CPL. D=50 H=29	1
73	50180107	REBOUND RUBBER	1
74	50180113	STEEL DISC 18X,5X43,7X6	1
75	50180102	BACKUPRING 22,55X1,5	2
76	50180101	QUAD RING 18X2,62	1
79	50180103	O-RING 41X5	1
80	46180119	DU-BUSH 18X20X12	1
81	50180082	DUST SEAL 1835	1
82	50180153	ADAPTOR-BUSH KGW 32X10X26	2
83	50180159	SHAFT SEAL RING KGW D=32	2
84	50180175	CIRCLIP KGW D=32	2
85	50180126	CIRCLIP 53X1,75	1
86	50180487	COVER D=50	1
87	50180480	BUMP RUBBER D58 D17 H59 SXS 05	1
88	50180481	NUT M18X1	1
90	50180497S	SHOCK ABS. BOTTOM 54X20X32	1
91	50180179	PIVOT BEARING KGW 1632	1
93	40540603	STEEL BALL D=3MM	1
94	48600028	SPRING D=2,9 L=7,9	1
95	50180281	RESERVOIR CAP M14X1	1
96	50180222	O-RING NBR 4X1,5	1
97	50180434	ADJUSTING SCREW 80 DEG. L=39	1
98	50180342S1	SHOCK ABSORBER FLUID 5 LT '03	1
99	R12011	REPAIR KIT GASKET 5018 PDS 06	1

087800433 / C087800437

\* NEW PART

X AS REQUIRED

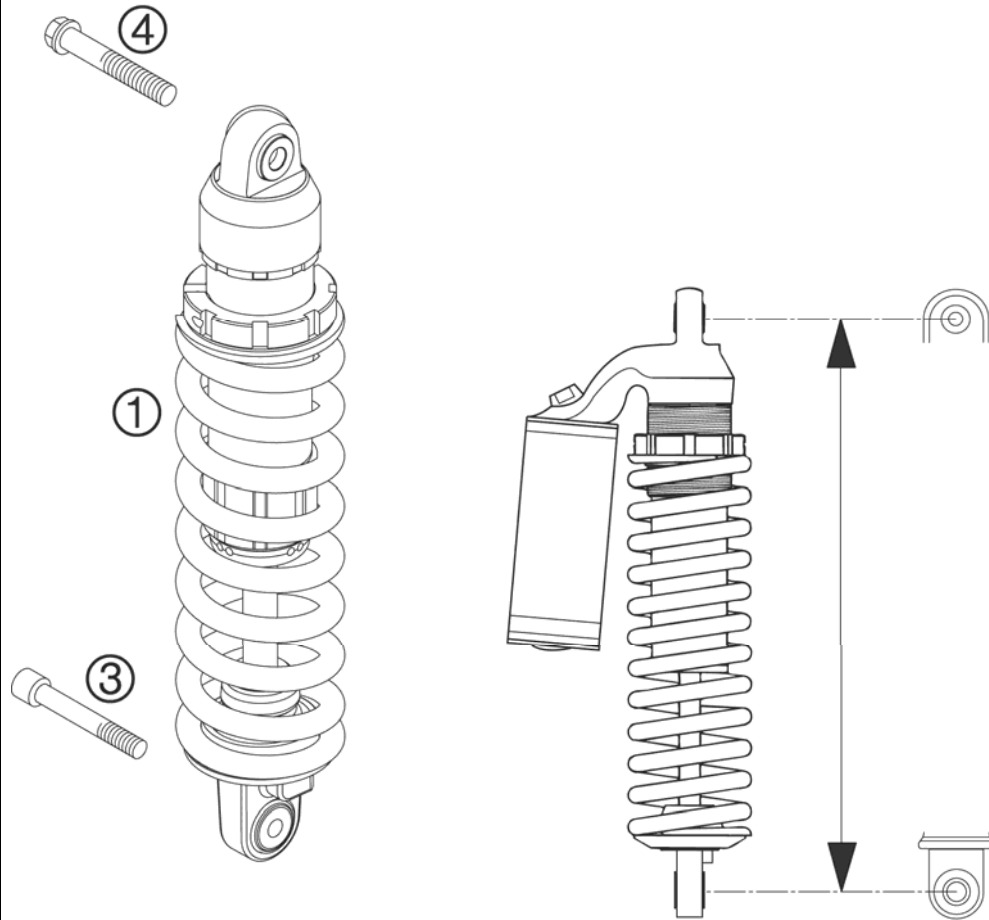


FIG	PART NUMBER	DESCRIPTION	QTY
1*	12457D03	MONOSHOCK HUSABERG FS 2008	1
3	0912100606	AH SCREW DIN0912-M10X60	1
4	0015120556S	HH COLLAR M12X55 WS=13 06	1

078000410 / C088000411

\* NEW PART

X AS REQUIRED

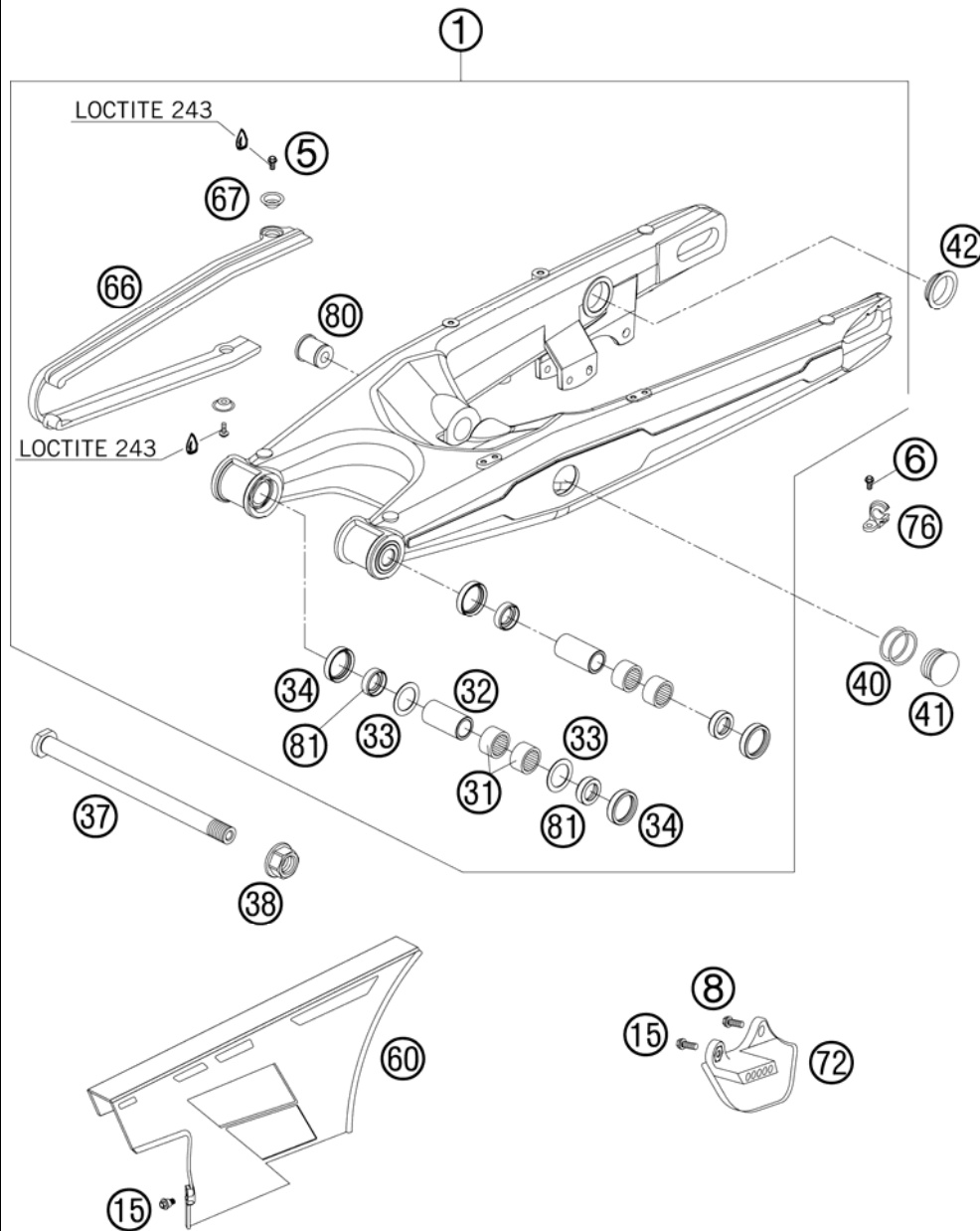


FIG	PART NUMBER	DESCRIPTION	QTY
1	80004030244	SWINGARM CPL. HUSABERG 05	1
5*	0025060126	HH COLLAR SCREW M6X12 TX30	2
6*	0025050126	HH COLLAR SCREW M5x12 TX30	2
8*	0024060136	HH COLLAR SCREW M6X13 TX30	2
15	59001092050	SPECIAL SCREW M6X12,5 WS=8	4
31	58033097000	NEEDLE BEARING HK 2216	4
32	80004032100	BUSH. SLEEVE SWINGARM BEAR. 05	2
33	54603036000	STOP DISK 22,2X31,7X1	2
34	0760253270	SHAFT SEAL RING 25X32X7	4
37	80004037100	SWINGARM BOLT L=237MM	1
38	54804038000	SELF LOCK.NUT M16X1,5 WS=19 03	1
40	0770253240	O-RING 25,30X2,40 NBR70	4
41	80004041000	CLOSING COVER SWINGARM 04	2
42	58404041100	CLOSING COVER ROUND 03	2
60	80004060100	CHAIN GUARD 05	1
66	80004066000	CHAIN SLIDING GUARD 04	1
67	46104066050	BUSH FOR CHAIN SLIDER GUARD 02	2
72	80004070000	CHAIN GUIDE FS 2005	1
76	54611076100	RETAIN.CLAMP FOR BRAKE HOSE'96	2
80	80004080100	BUSHING SUPPORT MONOSH. 2005	1
81	80004034000	BUCKET F. SHAFT SEAL RING 04	4

088000491 / C088000491

\* NEW PART

X AS REQUIRED

# EXHAUST SYSTEM

FS 650c/6 2008

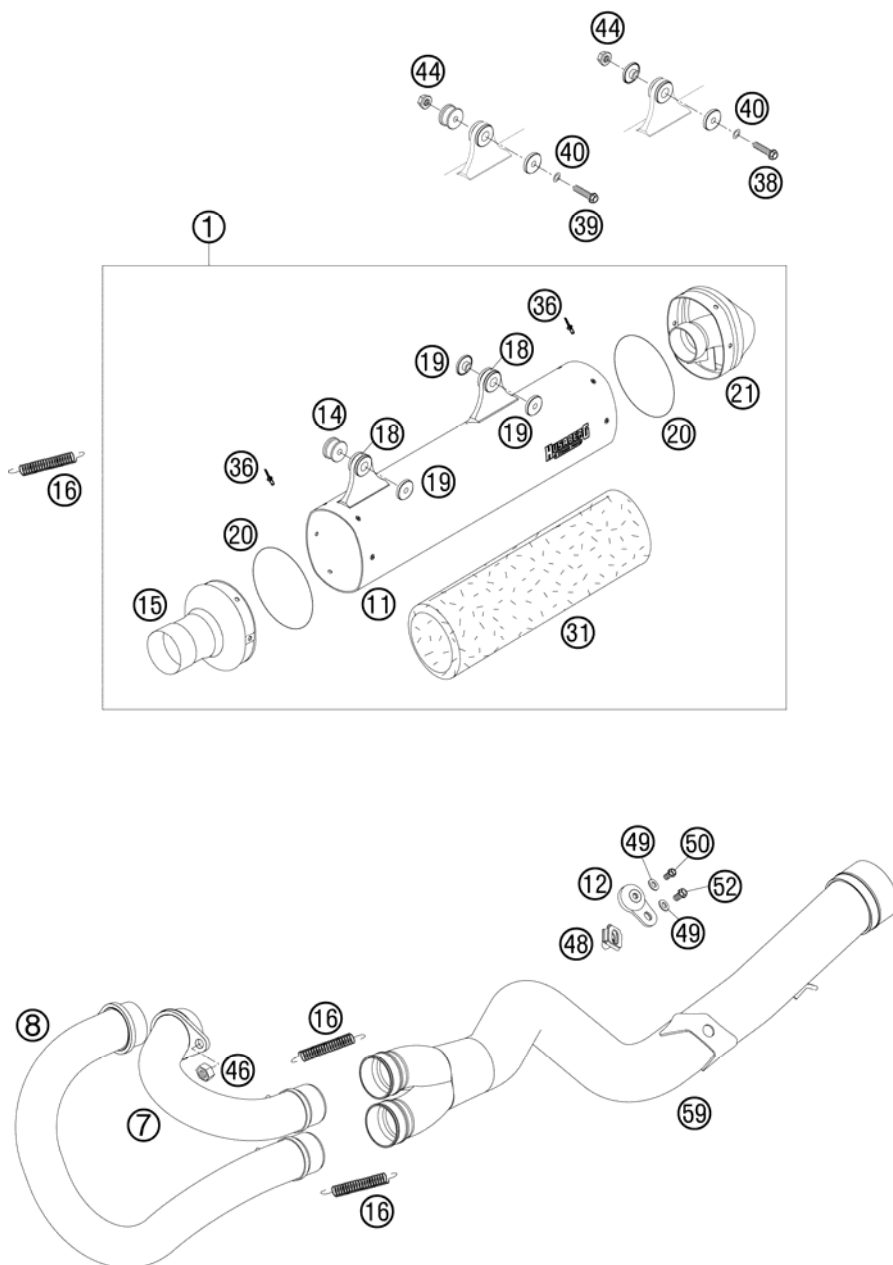


FIG	PART NUMBER	DESCRIPTION	QTY
1	80005079100	SILENCER FC 05	1
7	82005007100	EXH. COLLECTOR L/S 650 CPL. 05	1
8	82005008100	EXH. COLLECTOR R/S 650 CPL. 05	1
11	80005079150	SILENCER HOUSING FC 05	1
12	50305012000	SWINGELEMENT FOR EXHAUST PIPE	1
14	59405269000	BUSHING SIL.-SMR FRONT 2004	1
15	80005079109	SIL. CONNECT. CAP FC CPL. 05	1
16	50305016000	TEN.SPRING L=62MM EY.MOVEABLE	3
18	54605068000	EXHAUST BRACKET RUBBER BLACK	2
19	54605069000	BUSHING 7,5X12X28X7,8 '96	3
20	0770740015	O-RING 74,00X1,50 FKM 75SH	2
21	80005079106	SIL. END CAP FC CPL. 2005	1
31	59005078550	STUFF.YARN 550GRAMM L=550MM SX	1
36	0011480800	DUMMY RIVET 4,8X 8 NIRO	12
38*	0025060306	HH COLLAR SCREW M6X30 TX30	1
39*	0025060406	HH COLLAR SCREW M6X40 TX30	1
40	0137060003	SPRING WASHER DIN0137-B 6	2
44	56509064100	SELF LOCKING NUT M6 10.9	2
46	51010086000	SELF LOCKING NUT M 6 COPPER	2
48	54603048100	RANGE CHANGE METAL NUT M6	1
49	0125060003	WASHER DIN0125-A 6,4	2
50*	0024060156	HH COLLAR SCREW M6X15 TX30	1
52*	0024060106	HH COLLAR SCREW M6X10 TX30	1
59	80005059000	EXH.INT. TUBE CPL. HUSABERG 05	1

088000511 / C088000516

\* NEW PART

X AS REQUIRED



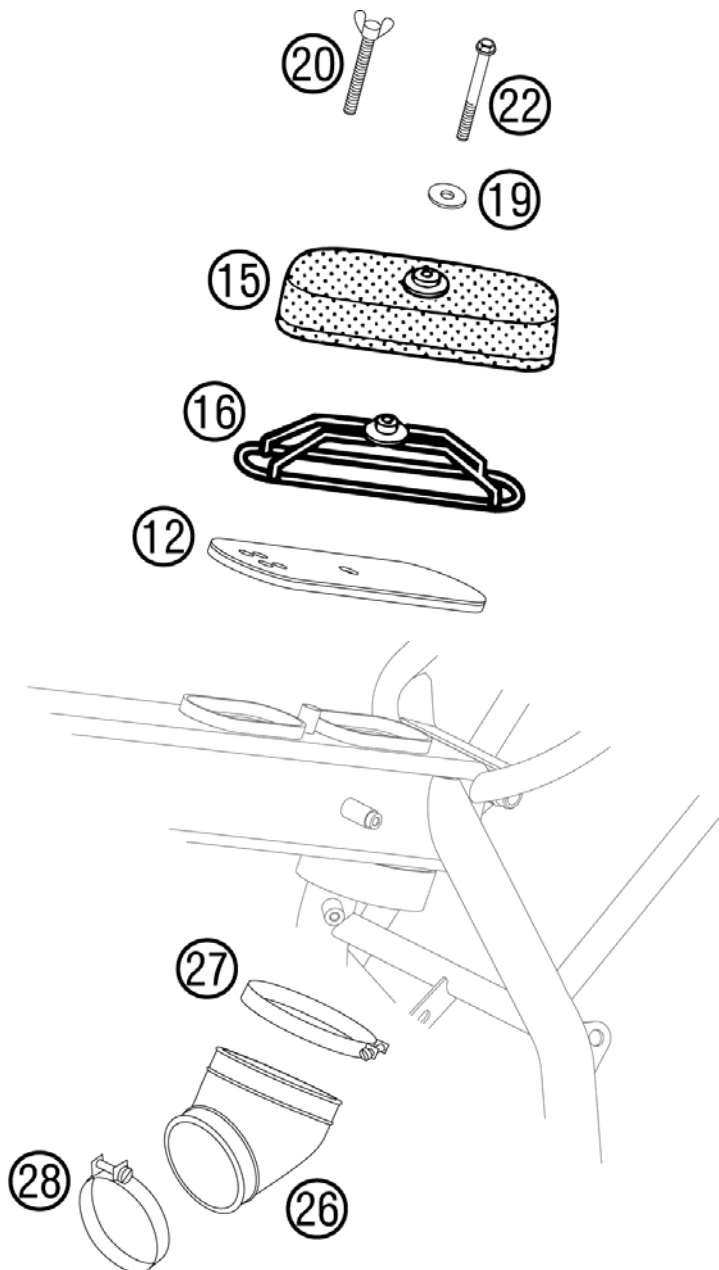


FIG	PART NUMBER	DESCRIPTION	QTY
12	80006012000	INTAKE THROTTLE	04
15	80006015000	AIR FILTER	04
16	80006016000	AIR FILTER CARRIER	04
19	0021060003	WASHER DIN9021-A 6,4	1
20	0316060503	THUMB SCREW M6X50	1
22*	0025060606	HH COLLAR SCREW M6X60 TX30	1
26	80006026000	CARB. CONNECT. BOOT 550/650 04	1
27	58506027000	HOSE CLAMP 70-90MM	1
28	51006027000	HOSE CLAMP 50-70MM	1

05800060 / C088000611

\* NEW PART

X AS REQUIRED

# TANK, SEAT, COVER

FS 650c/6 2008

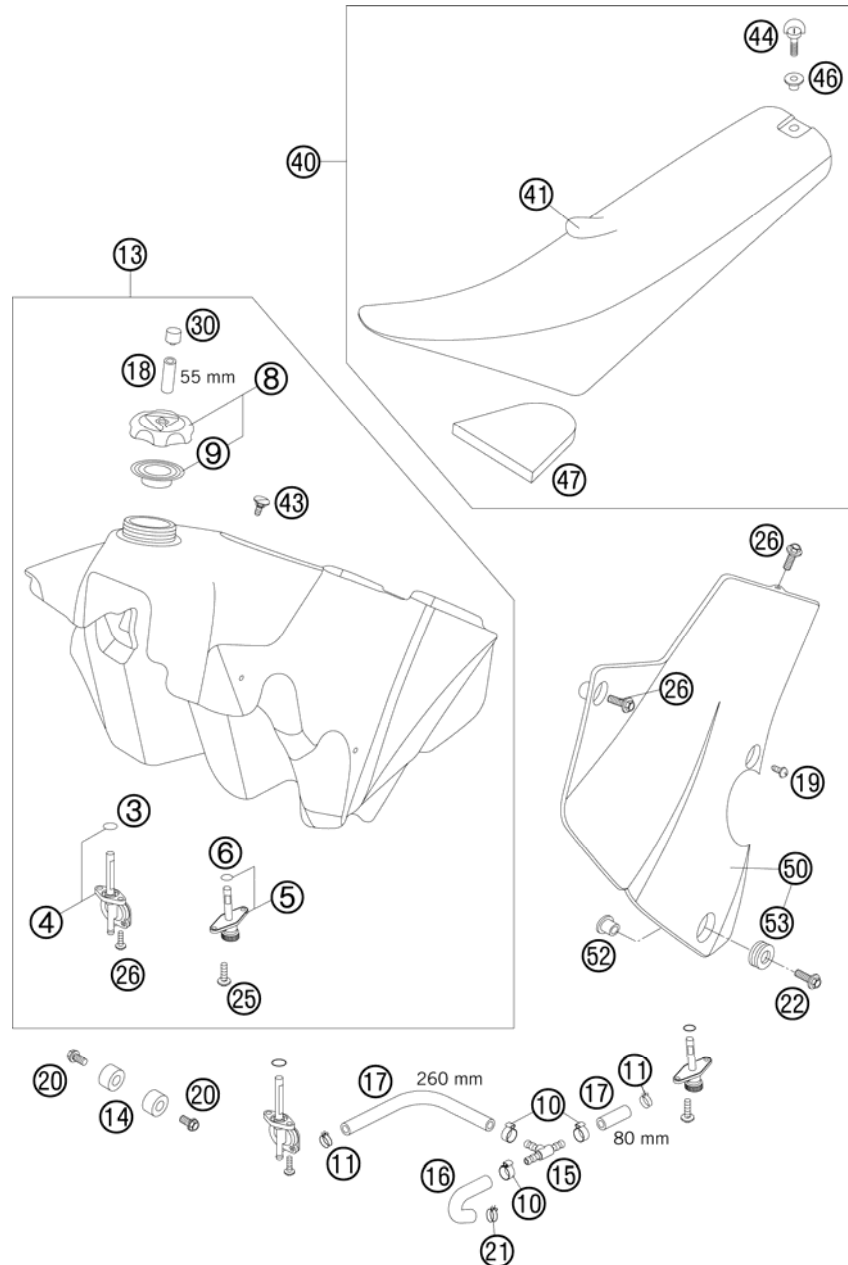


FIG	PART NUMBER	DESCRIPTION	QTY
3	0770130023	O-RING 13,00X2,30	x
4	50307005000	GAS COCK MIKUNI ON/OFF 2001	1
5	58507003000	FUEL COCK CPL. SMALL RALLYE'96	1
6	55007006200	O-RING 11X1,8 NBR 70	2
8	59007008044	FILLER CAP CPL. WITH VALVE	1
9	59007009000	GASKET FOR FILLER CAP HIGH	1
10	00050140706	VARIABLE ONE-EAR CLAMP 14,0MM	3
11	58031005000	CLAMP YDNAC 10128 12MM	3
13	8000711306669	FUEL TANK CPL. 9 LIT. BLUE	1
14	50307014000	TANK ROLLER 12X26X12 '98	4
15	58007015000	T-CONNECTOR FOR FUEL LINE	1
16	60007016000	FUEL PREFORMED HOSE 03	1
17	54435024001	HOSE ID 7,5 PER METER	x
18	58307016001	FUEL HOSE VITON 6X1,5 PER/M	x
19	0081500181	SCREW FOR PLASTIC D=5X18	2
20*	0025060126	HH COLLAR SCREW M6X12 TX30	4
21	58431082200	CLAMP YDNAC 13,7MM 2000	1
22*	0024060206	HH COLLAR SCREW M6X20 TX30	2
25	0017060203	EJOT PT SCREW K60X20 WS=6	2
26	0017060204	EJOT PT SCREW K60X20 ALU WS=6	6
30	80007030000	NIPPLE FOR VENTILATION HOSE 04	1
40	80007040300	SEAT CPL. HUSABERG 2006	1
41	80007040350	SEAT COVER 06	1
43	50307011000	SCREW SEAT FASTENING D=6X23/18	1
44	80007044000	SCREW PLUG FOR SEAT 04	1
46	80007046000	BUSHING FOR SEAT 04	1
47	80007047000	DIRT-FILTER SEAT 04	1
50	8000815010030	SPOILER LEFT BLACK 06	1
50	8000815110030	SPOILER RIGHT BLACK 06	1
52	80008052000	COLLAR BUSHING 6,2X10X15X2 04	2
53	80008053000	RUBBER GROMMET FOR SPOILER 04	2

088000711 / C088000711

\* NEW PART

X AS REQUIRED

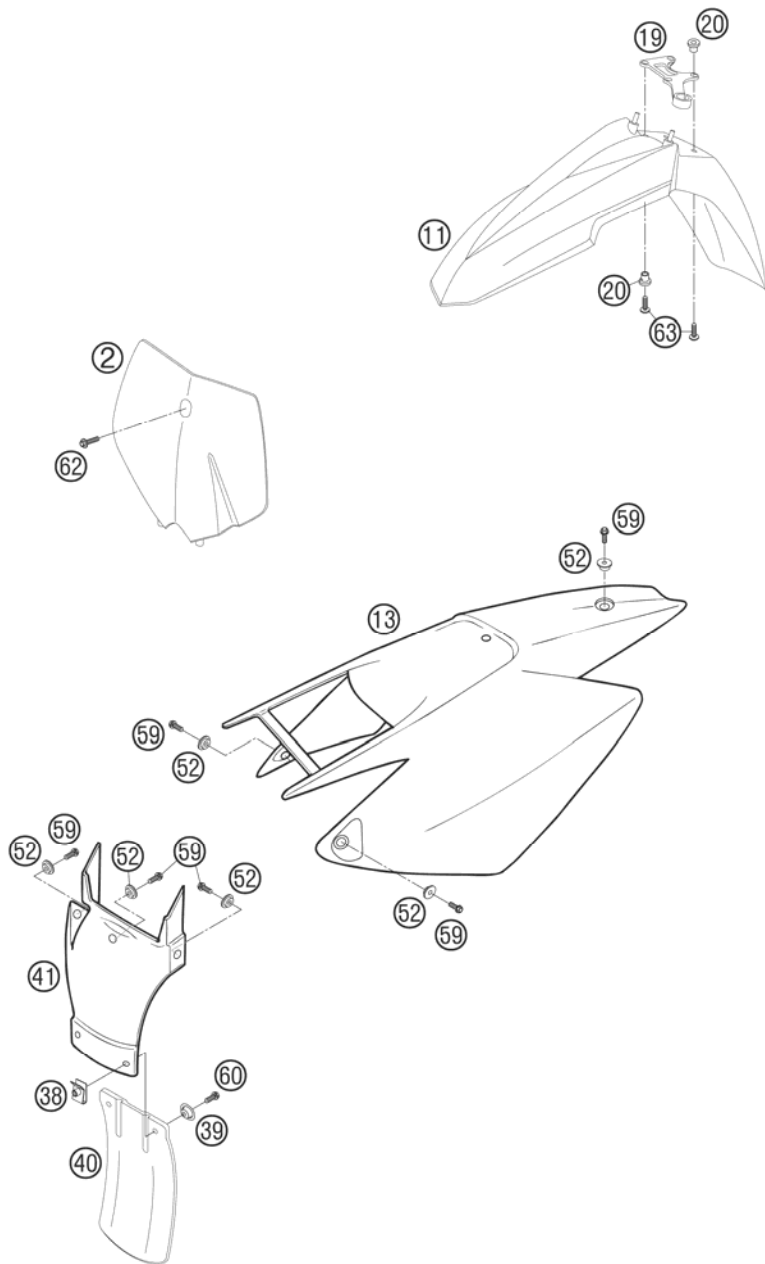


FIG	PART NUMBER	DESCRIPTION	QTY
	2	5480800701030 NUMBER PLATE CPL. BLACK	03 1
	11	5030801020030 FENDER FRONT BLACK	02 1
	13	8000801300030 REAR PART BLACK	04 1
	19	59008019000 BRAKE HOSE GUIDE	2000 1
	20	58408009050 SPACER BUSHING FRONT FENDER	4 4
	38	54603048100 RANGE CHANGE METAL NUT M6	2 2
	39	72210079000 BUCKET	2 2
	40	54606010000 SPLASH PROTECT.FOR FILTER BOX	1 1
	41	80006011000 SPLASH PROTECTION TOP-PART	04 1
	52	50308052000 BUSH FOR SPOILER 6X11X16X5 MM	6 6
	59*	0025060126 HH COLLAR SCREW M6X12 TX30	6 6
	60*	0025060166 HH COLLAR SCREW M6X16 TX30	2 2
	62*	0024060156 HH COLLAR SCREW M6X15 TX30	1 1
	63*	0024060206 HH COLLAR SCREW M6X20 TX30	4 4

088000812 / C088000812

\* NEW PART

X AS REQUIRED

FIG	PART NUMBER	DESCRIPTION	2008	QTY
1*	80008099900	DECAL SET FS	2008	1

①



088000831 / C088000831

\* NEW PART

X AS REQUIRED

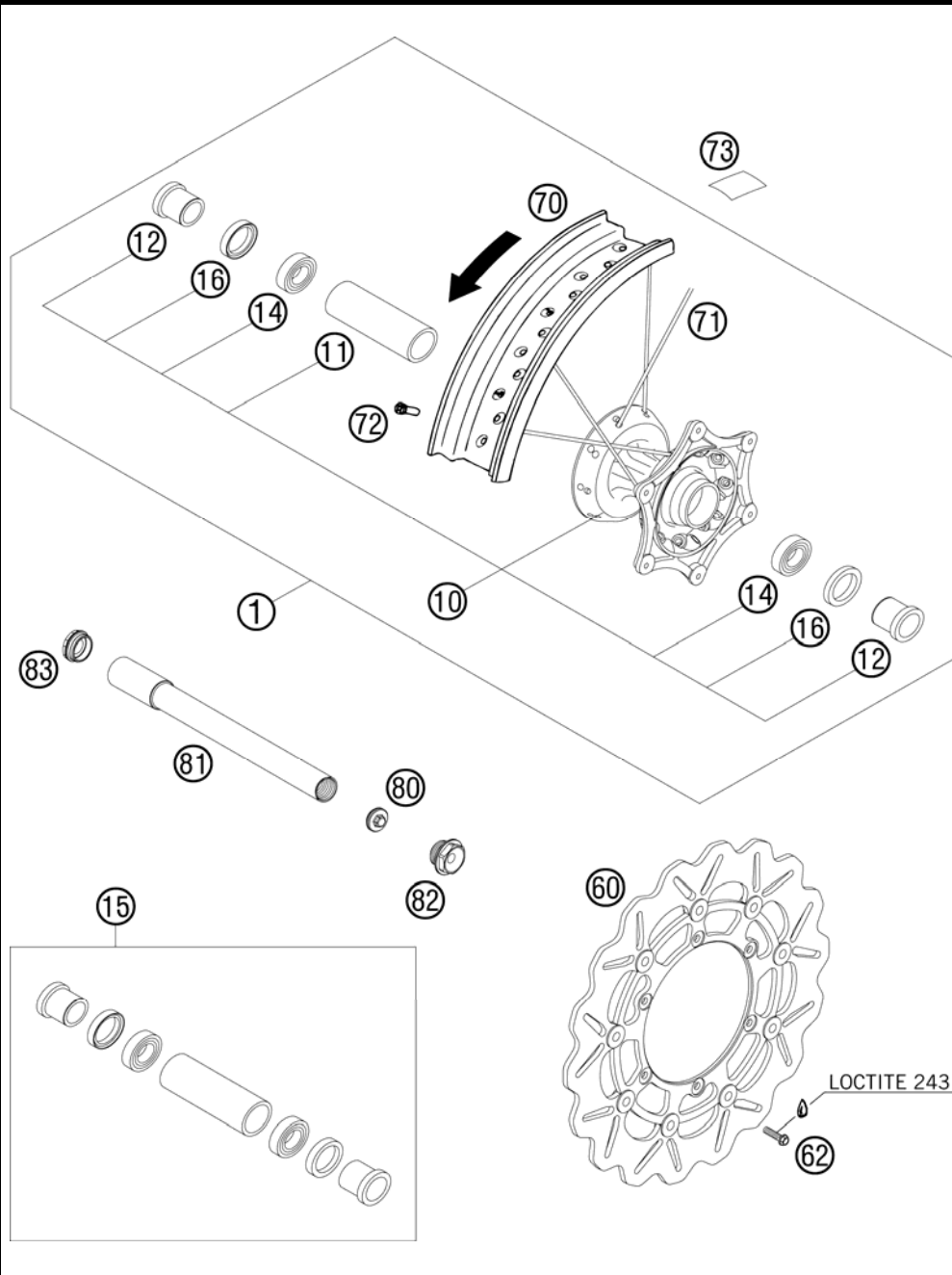


FIG	PART NUMBER	DESCRIPTION	QTY
1*	8000900154430	FRONT WHEEL CPL. 3,5X17" BLACK	1
10*	78009010044	FRONT WHEEL HUB CPL. 08	1
11	54809011000	BEA.SPACERTUBE 35X2 L=79,4 03	1
12*	78009012000	SPACER BUSHING F. FR. WHEEL 08	2
14	0625069068	GR.BALL BEAR.6906 DDU2CG23S6NM	2
15*	78009015000	FRONT WHEEL REP. KIT	1
16	0760354771	SHAFT SEAL RING 35X47X7 TC	2
60	58609060000	BRAKE DISC FRONT 2005	1
62	59009062016	SPECIAL SCREW M6X16 WS=8 10.9	6
70	5840907000030	RIM 3,50X17" BLACK	1
71	50309071177	SPOKE M4,5X177-15G 17" DDE	36
72	50309072000	SPOKE NIPPLE M4,5X0,75 8X21	36
73	58309073000	RIM BAND 17"	1
80*	54809081070	AUXILIARY SCREW FRONT 06	1
81*	77309081000	WHEEL SPIN.FR. D=26 M24x1,5 07	1
82	54809082000	SPINDLE SCREW M24X1,5 WS=27 03	1
83	54809081050	PLUG BUSHING WS=27 03	1

088000911 / C088000911

\* NEW PART

X AS REQUIRED

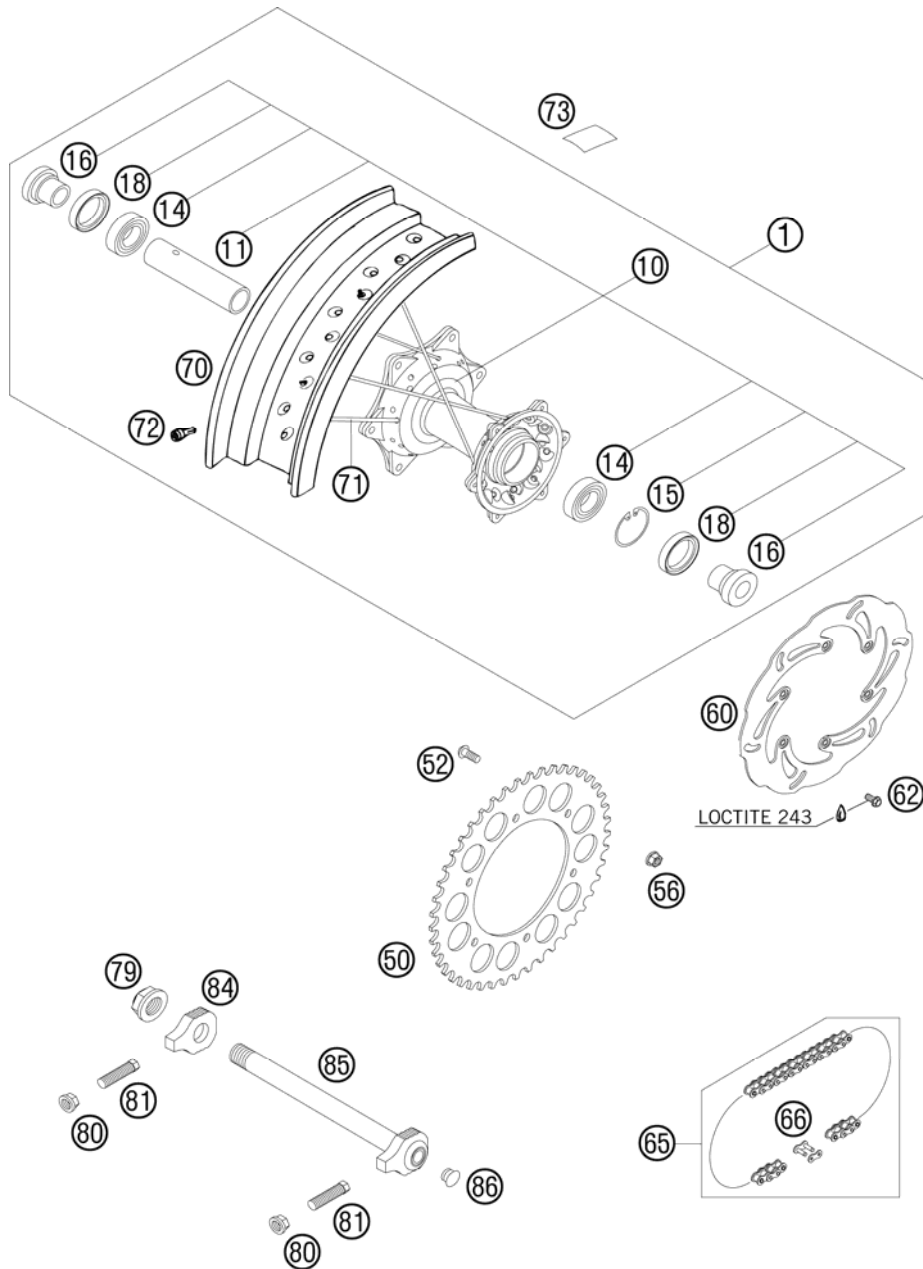


FIG	PART NUMBER	DESCRIPTION	QTY
1*	8001000164430	REAR WHEEL CPL. 5X17" BLACK 08	1
10*	78010010044	REAR HUB CPL. 08	1
11	59010011000	BUSHING SPACER TUBE 121,5MM 01	1
14	0625060058	GR.BALL BEAR.6005 DDU2CG23S6NM	2
15	0472047175	CIRCLIP DIN0472-47X1,75	1
16*	78010016000	BUSHING FOR HUB 08	2
18	0760324771	SHAFT SEAL RING 32X47X7 BSL	2
50	58310051038	REAR SPROCKET 38-T	x
50	58310051042	REAR SPROCKET 42-T	x
50	58310151040	REAR SPROCKET 40-T	x
50	58310151045	REAR SPROCKET 45-T	x
50	58310151048	REAR SPROCKET 48-T	x
50	58310151049	REAR SPROCKET 49-T	x
50	58310151050	REAR SPROCKET 50-T	x
50	58310151051	REAR SPROCKET 51-T	x
50	58310151052	REAR SPROCKET 52-T	x
52	54510052100	SPROCKET SCREW-AH M8X26 WS=6	6
56	54310086200	SELF LOCKING NUT M8 10.9	6
60	58610060000	REAR BRAKE DISC 220MM 05	1
62	59009062013	SPECIAL SCREW M6X13 WS=8 10.9	6
65	80010265118	CHAIN 5/8X1/4" + MASTER LINK	1
66	50010066100	MASTER LINK 5/8X1/4" X-RING	1
70	5731007000030	WHEEL RIM 5,0X17" BLACK	1
71	58309171100	SPOKE M5X177-13,5G 17"	36
72	58309072000	SPOKE NIPPLE M5-TA (8X21MM)	36
73	58309073000	RIM BAND 17"	1
79	50310099000	HEXAGON NUT M20X1,5 '98	1
80	58414030000	HH COLLAR NUT M10X1,25 WS=13	2
81	50304040100	SCREW M10X1,25X50 WS=10	2
84	80010084000	CHAIN TENSIONER R/S 04	1
85	80010085044	WHEEL SPINDEL REAR CPL. 04	1
86	50210086000	COVERING CAP SFL16	1

088001011 / C088001011

\* NEW PART

X AS REQUIRED

# WIRING HARNESS

FS 650c/6 2008

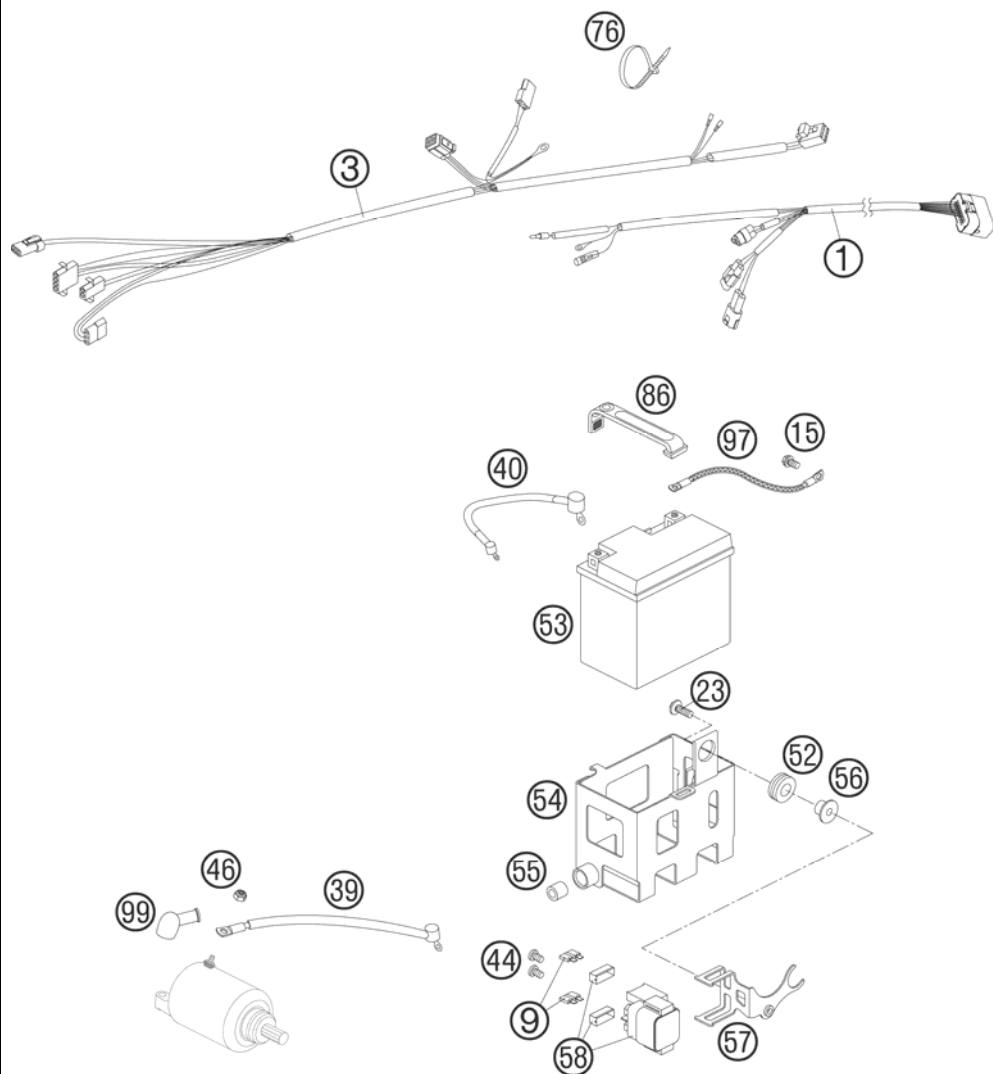


FIG	PART NUMBER	DESCRIPTION	QTY
1	80011075300	IGNITION WIRING HARNESS	04
3	80011079100	STARTER WIRING HARNESS	05
9	58011109110	FUSE 10 A	2000
15*	0025060106	HH COLLAR SCREW M6X10	TX30
23*	0024060206	HH COLLAR SCREW M6X20	TX30
39	80011059100	STARTER CABLE L=165MM	04
40	80011059050	BATTERY CABLE L=155MM	04
44	0902060083	AH OVAL SCREW ISO 7380 M 6X8	
46	0985060003	SELF LOCK. NUT DIN0985-M 6	
52	41001052000	RUBBER SLEEVE D=12MM	
53	80011053000	BATTERY 12V/7AH	04
54	80011054000	BATTERY CARRIER	04
55	80011054050	DAMPING RUBBER	04
56	80011056000	DISTANCE SPACER 6MM	04
57	80011058050	BRACKET FOR STARTER RELAY	04
58	58211058000	STARTER RELAY 12V '99	
76	44011076200	CABLE TIE 200/3,6MM BLACK	x
76	44011076305	CABLE TIE 300/4,8MM BLACK	x
86	54611186000	RUBBER BAND	1
97	80011097000	GROUND CABLE	04
99	58440099000	PROTECTION CAP F. STARTER ENG.	1

088001114 / C088001116

\* NEW PART

X AS REQUIRED

# HAND BRAKE CYLINDER

FS 650c/6 2008

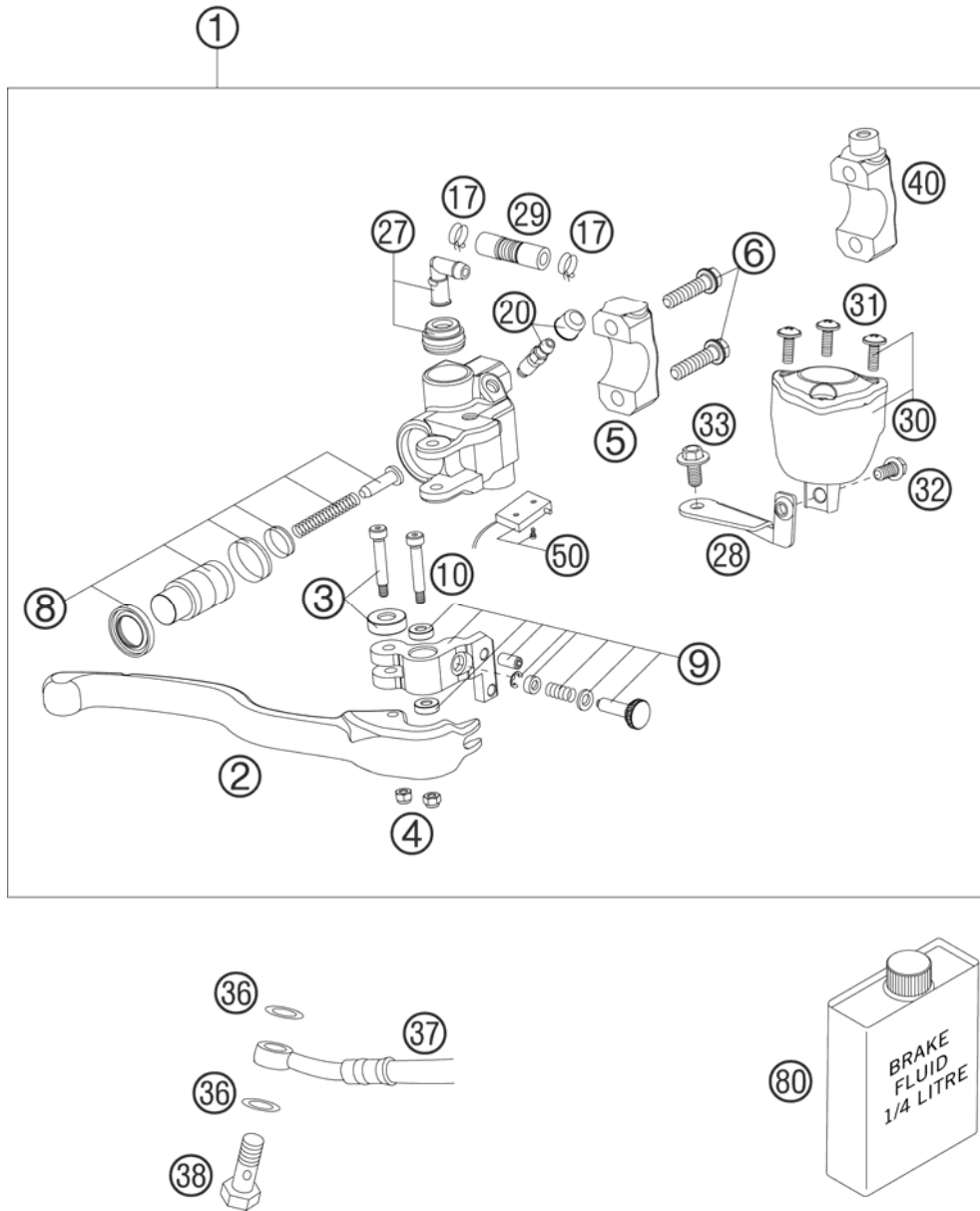


FIG	PART NUMBER	DESCRIPTION	QTY
1	58613001144	HANDBRAKECYLINDER CPL.	07
2	58613002100	HANDBRAKE LEVER	2007
3	58613002150	LEVER SCREW	05
4	0985040003	SELF LOCKING NUT DIN0985-M 4	
5	58613005150	CLAMP	05
6*	0025060256	HH COLLAR SCREW M6X25 TX30	
8	58613008000	REP. SET PISTON	05
9	58613002140	ROCKER CPL.	2007
10	58613006000	BEARING BOLT	05
17	59007017000	CLAMP YDNAC 10096F (9,6MM)	
20	58613020000	BLEEDER SCREW WITH CAP	
27	58613027000	CONNECTING TUBE CPL.	05
28	58613028100	RETAINING PLATE	2007
29	58613029150	HOSE FOR RESERVOIR	05
30	58613029044	BRAKE FLUID RESERVOIR CPL.	05
31	58613029050	FIXING SCREW F. RESERV.	05
32*	0025060126	HH COLLAR SCREW M6X12 TX30	
33*	0024060136	HH COLLAR SCREW M6X13 TX30	
36	0603100141	COPPER GASKET DIN7603-10X14X1	
37	58613012100	BRAKEHOSE 1175MM	05
38	58613013100	HOLLOW SCREW	05
40	58613005050	CLAMP FOR MIRROW	05
50	58611050000	BRAKE LIGHT SWITCH CPL.	05
80	00062030000	BRAKE FLUID DOT5.1 0,25L	

088001310 / C088001312

\* NEW PART

X AS REQUIRED



# REAR BRAKE CONTROL

FS 650c/6 2008

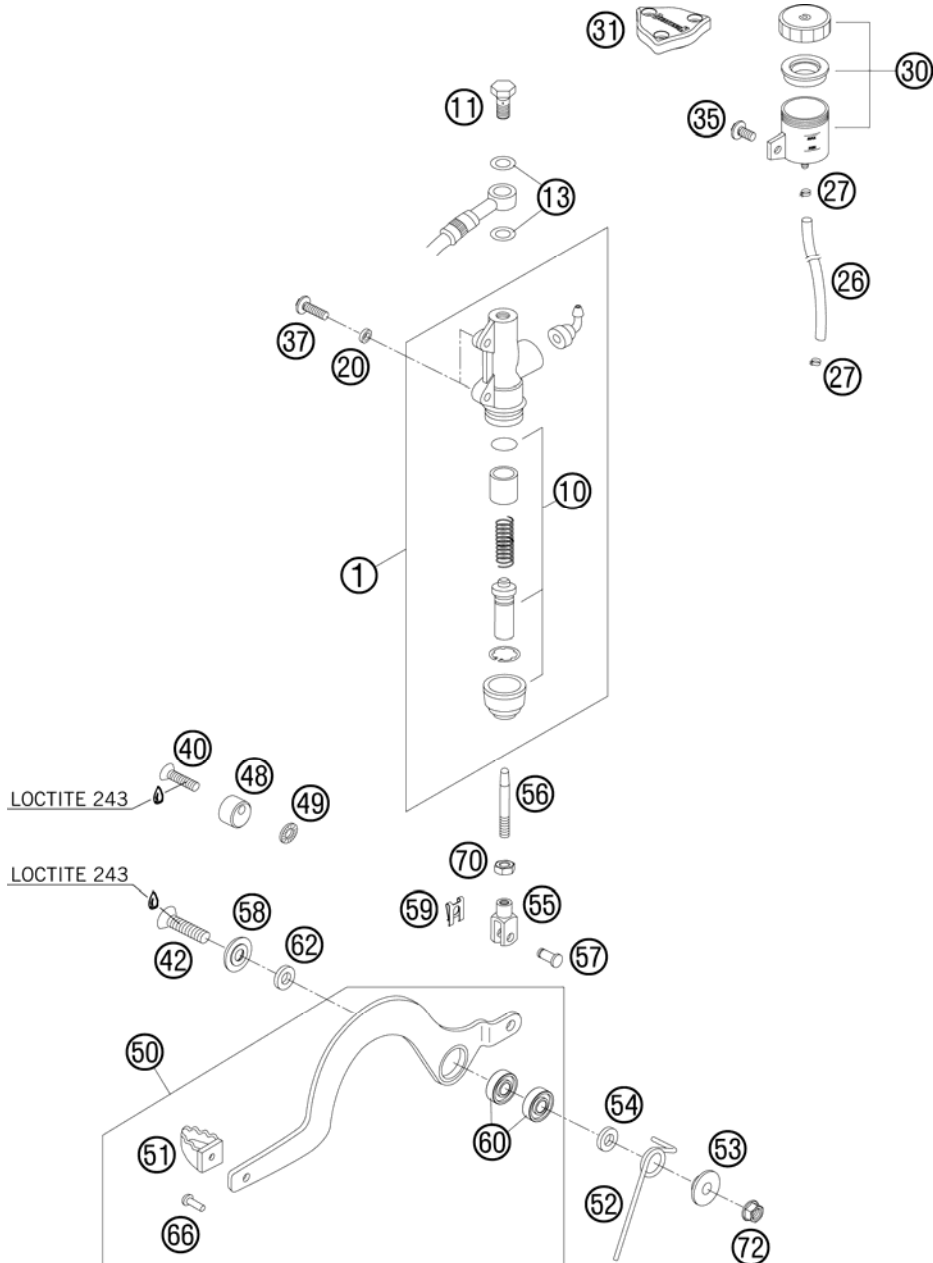


FIG	PART NUMBER	DESCRIPTION	QTY
1	50313060100	FOOTBRAKECYL. 13MM NATURE 2001	1
10	54513150000	REPAIR KIT PISTON 13MM	1
11	50213025000	HOLLOW SCREW M10X1X19	1
13	0603100141	COPPER GASKET DIN7603-10X14X1	2
20	80004060050	BUSHING 6,2X10X2,5MM 04	2
26	58007016101	HOSE FOR RESERVOIR 6X1,5	x
27	58007017000	YDNAC CLAMP 10101 (9MM)	2
30	54513030044	BRAKE FLUID RESERVOIR '89	1
31*	80013029100	COVER FOR SM BRAKE RESERVOIR	1
35*	0024060106	HH COLLAR SCREW M6X10 TX30	1
37*	0024060206	HH COLLAR SCREW M6X20 TX30	2
40	0991060253	FLAT HEAD SCREW DIN7991-M 6X25	1
42	0991080453	FLAT HEAD SCREW DIN7991-M 8X45	1
48	80013048000	ECCENTRIC BRAKE LEVER STOP 04	1
49	0797060003	TOOTH LOCK WASH. DIN6797-A 6,4	1
50	80013050044	REAR BRAKE LEVER CPL. 04	1
51	80013051000	BRAKE LEVER PEDAL 04	1
52	80013052000	RETAIN.SPRING REAR BR.LEVER 04	1
53	80013053100	COLLAR. BUSH.8,2X13X24X5,5 05	1
54	80013054100	DISTANCE SPACER 8,2X16X3 MM 05	1
55	80013055000	FORK PART REAR BRAKE CONTR. 04	1
56	80013056000	PRESSURE ROD REAR BRAKE CON.04	1
57	80013057000	MOUNTING BOLT 04	1
58	80013058000	SPECIAL WASHER 04	1
59	80013059000	SL-CIRCLIP 6 MBO 08	1
60	0625006087	GROOVED BALL BEAR. 608 2RS C3	2
62	0137080003	SPRING WASHER DIN137 B8	1
66	0660050167	RIVET DIN0660- 5,0X16	1
70	0934060003	HEXAGON NUT DIN0934-M 6	1
72	54310086200	SELF LOCKING NUT M8 10.9	1

088001332 / C088001332

\* NEW PART

X AS REQUIRED

# BRAKE CALIPER FRONT

FS 650c/6 2008

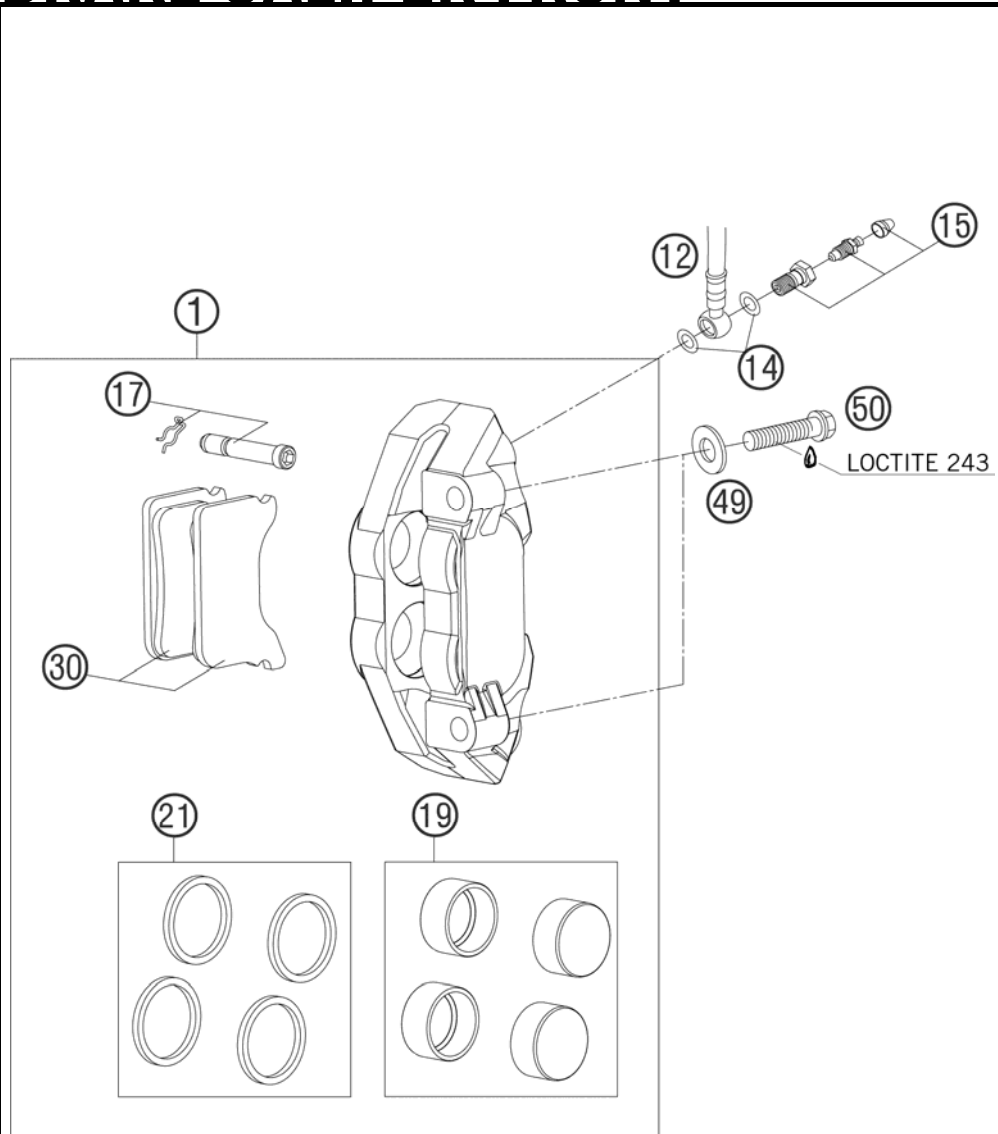


FIG	PART NUMBER	DESCRIPTION	QTY
1	80013015244	BRAKE CALIPER FRONT CPL. 05	1
12	58613012100	BRAKEHOSE 1175MM 05	1
14	0603100141	COPPER GASKET DIN7603-10X14X1	2
15	58613013000	HOLLOW-BLEEDER SCREW CPL. 05	1
17	58613017000	BOLT CPL. 05	1
19	58613019000	PISTON KIT CPL. 05	1
21	58613021000	SEAL RING KIT CPL. 05	1
30	58613030200	BRAKE PAD 06	1
30	58613030300	BRAKE PAD 06	x
		WITHOUT STREET-HOMOLOGATION	
49	58413049000	WASHER 10,2X20X2,5 MM 04	2
50*	0025080356S	HH COLLAR SCREW M8X35 TX40	2

088001361 / C088001362

\* NEW PART

X AS REQUIRED

# BRAKE CALIPER REAR

FS 650c/6 2008

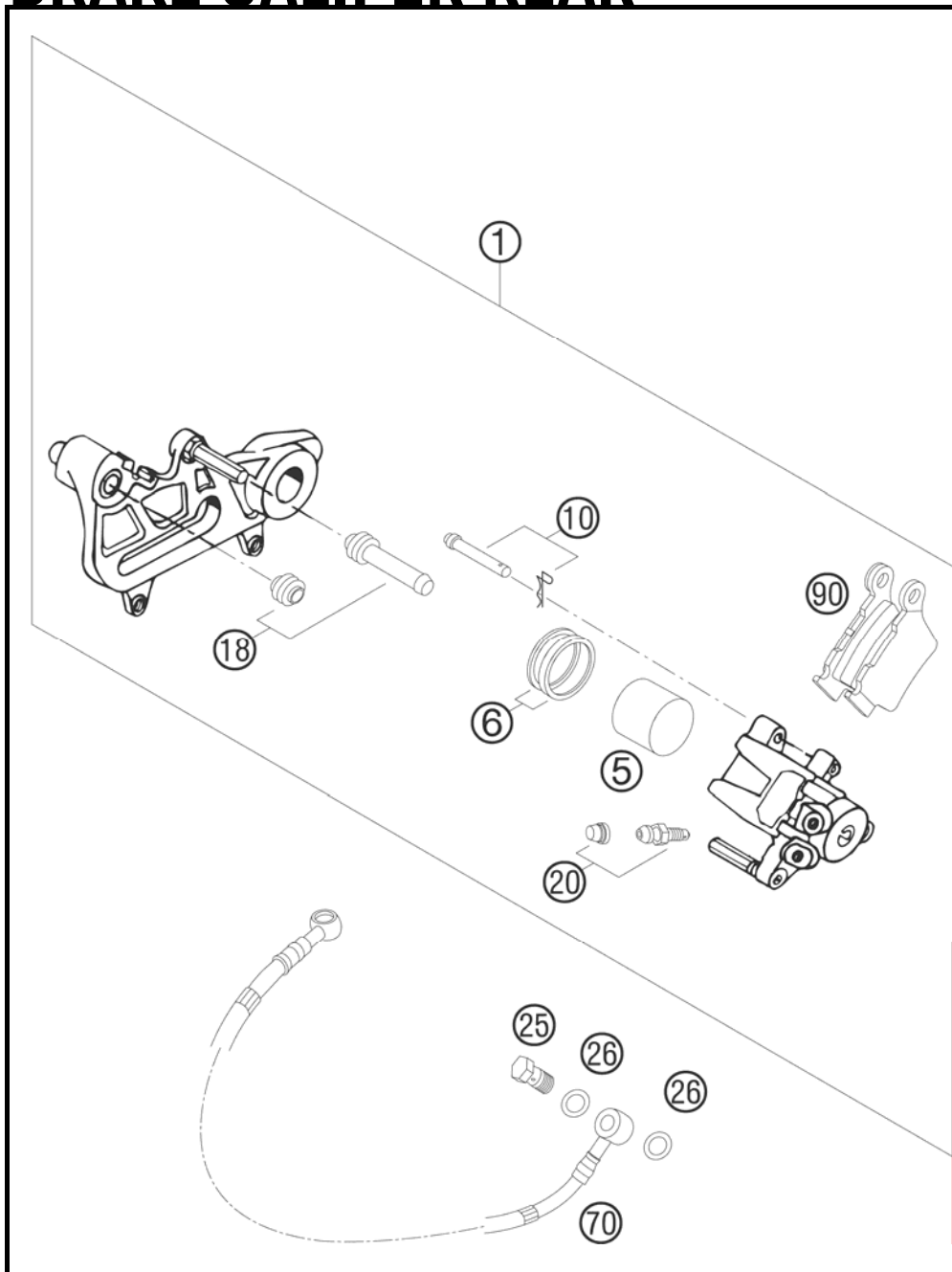


FIG	PART NUMBER	DESCRIPTION	QTY
1	50213301644	BRAKE CALIPER CPL. REAR L/S	1
5	54613305200	BRAKE PISTON 34MM	1
6	54613318200	REPAIR KIT SEALING RINGS 34MM	1
10	54613310200	BOLT SET	1
18	54613218000	CUP SET SHORT	1
20	60013020000	BLEEDER SCREW WITH CAP	1
25	50213025000	HOLLOW SCREW M10X1X19	1
26	0603100141	COPPER GASKET DIN7603-10X14X1	2
70	80013070000	BRAKE HOSE REAR 695MM 04	1
90	50313090000	BRAKE PAD REAR TOSHIBA TTH38GF	x
90	54613309200	BRAKE PAD SET REAR ID450	1
90	59013090000	BRAKE PAD SET REAR SINTER 03	x

088001390 / C088001390

\* NEW PART

X AS REQUIRED

①  
OHNE ABBILDUNG  
WITHOUT ILLUSTRATION

①  
TECHNISCHE DOKUMENTATION  
TECHNICAL DOCUMENTATION  
DOCUMENTACION TECNICA  
DOCUMENTATION TECHNIQUE  
NOTE TECNICHE

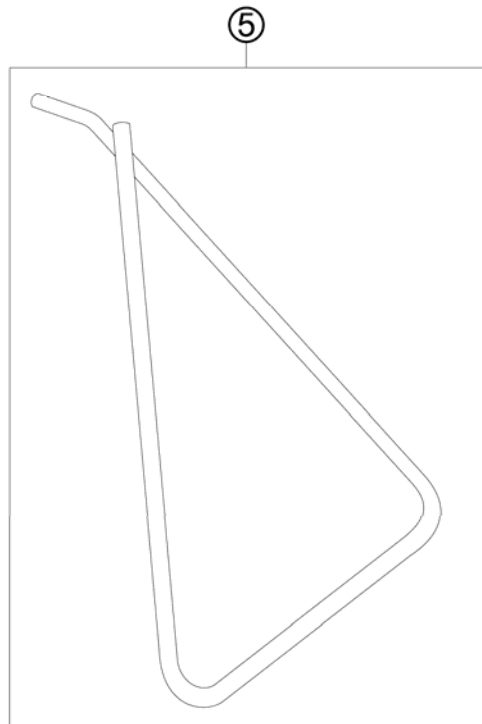
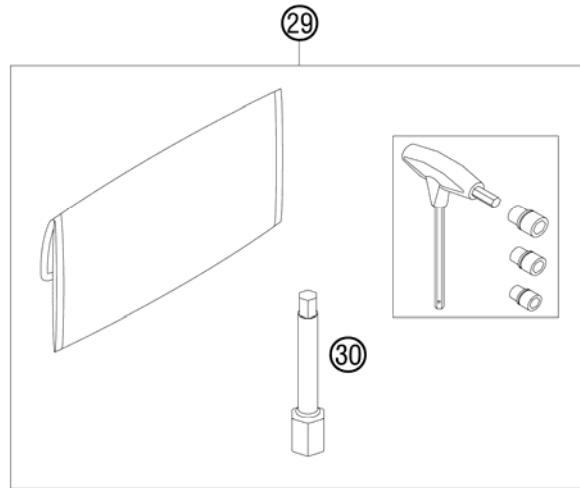


FIG	PART NUMBER	DESCRIPTION	QTY
0	5030314013390	FOOTREST L.+R. CPL. 03	1
0	59002002000	HANDLEBAR PAD 05	1
0	80002033000	COVER HYDR. CLUTCH	1
0	80012026000	BACKPACK "HUSABERG" 04	1
0	80013029100	COVER FOR SM BRAKE RESERVOIR	1
0	80031096044	INTERCEPTING TANK CPL.	1
0	H39008618GB	SERVICE BOOK HUSABERG	1
0	H39008623	FORCE DEPOT CATALOGUE 2007	1
1	3802013	OWN. MAN. 450/550/650 FE/FS 08	1
1	3CF2503H5EN	SPM CHASSIS FS650c/6 HUSAB. 08	1
1	3CM090025HEN	SPM ENGINE FE 650-E HUSAB. 08	1
5	54603020000	PLUG IN STAND	1
29	80029099000	TOOL SET HUSABERG 04	1
30	77029072000	SPARK PLUG KEY 250 SX-F	1

088002002 / C088002011

\* NEW PART

X AS REQUIRED









HUSABERG – a company of the KTM Group  
A-5230 Mattighofen  
[www.husaberg.cc](http://www.husaberg.cc)



3CF2503H5EN



Art.Nr.: 3CF2503H5EN 8/2007